

*American Standard*

# Installation Instructions

## MOMENTS DECK MOUNT BATH FILLER

2506.921  
2506.920

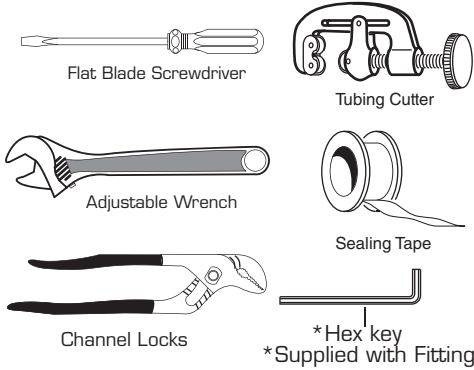


Certified to comply with ANSI A112.18.1M  
M968694 Rev. 1.5

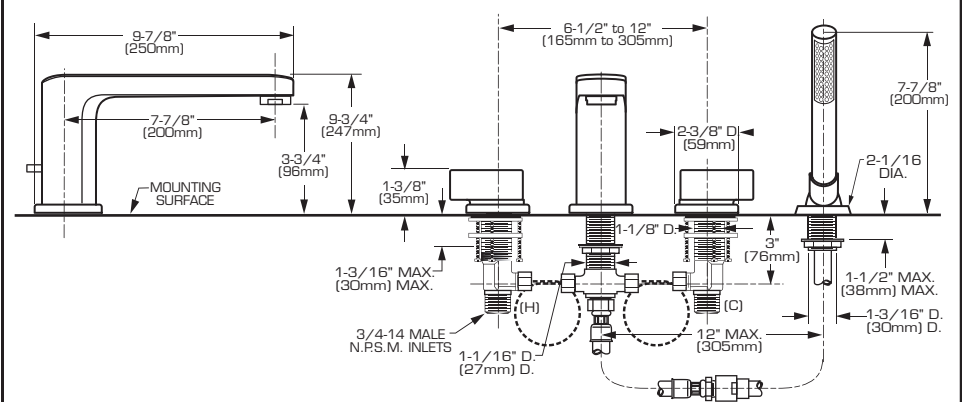
*Thank you for selecting American-Standard...the benchmark of fine quality for over 100 years.*

*To ensure that your installation proceeds smoothly—please read these instructions carefully before you begin.*

### Recommended Tools



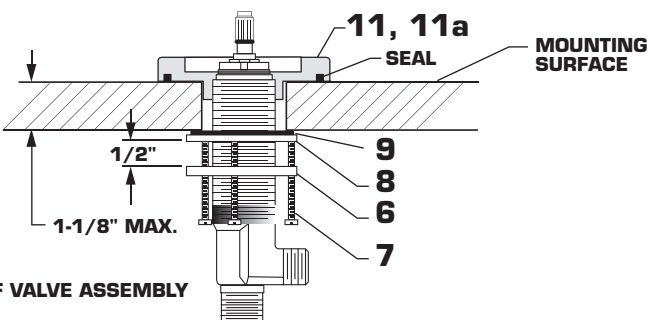
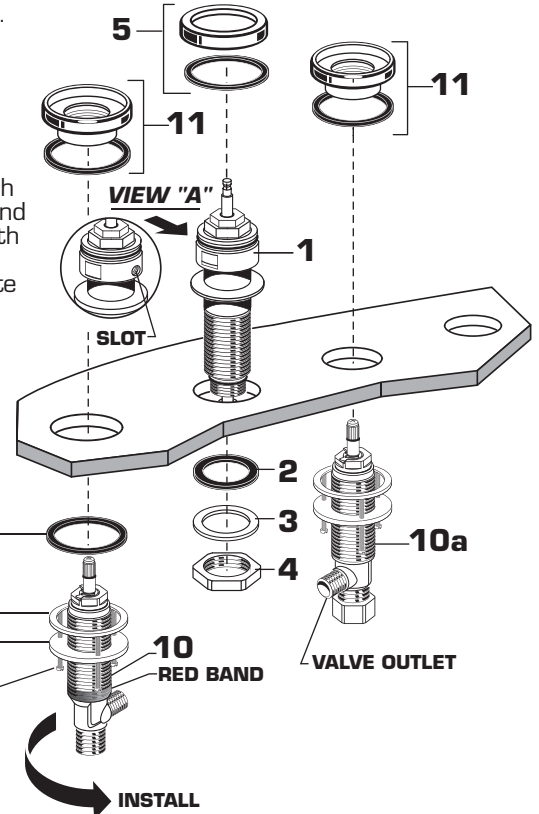
### ROUGHING-IN DIMENSIONS



## 1 SPOUT AND VALVE ASSEMBLY

**CAUTION** Turn off hot and cold water supplies before beginning.

- Insert SPOUT SHANK (1) through center hole of MOUNTING SURFACE. *Important: Set screw slot in SPOUT SHANK (1) must face back of fitting. View A.*
- Assemble RUBBER WASHER (2) and BRASS WASHER (3) onto SPOUT SHANK (1). From underside of ledge secure SPOUT SHANK (1) into position with LOCKNUT (4).
- Install SPOUT ESCUTCHEON AND SEAL (5) onto SPOUT SHANK (1).
- Thread MOUNTING RING NUTS (6) counter clock-wise to allow enough space for the thickness of the mounting surface.
- Adjust the three LOCKING SCREWS (7) so that they extend about 1/2 inch above the MOUNTING RING NUTS (6). Install MOUNTING WASHERS (8) and RUBBER WASHERS (9) onto VALVE BODIES. Thread VALVE BODY (10) with **red band** into the left side (**hot**) of the VALVE ESCUTCHEON (11) until it's seated against the stop. Thread the (**cold**) VALVE BODY (10a) into the opposite VALVE ESCUTCHEON (11).
- Hand tighten the MOUNTING RING NUTS (6) on valve bodies. Adjust valve outlets to face the SPOUT SHANK (1).
- With a flat blade screwdriver alternately tighten the three LOCKING SCREWS (7) to secure the valve bodies. Make sure there is equal pressure on all LOCKING SCREWS (7).

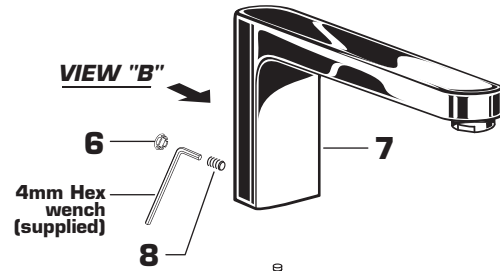


DETAIL OF VALVE ASSEMBLY

## 2

### TEE AND HOSE ASSEMBLY

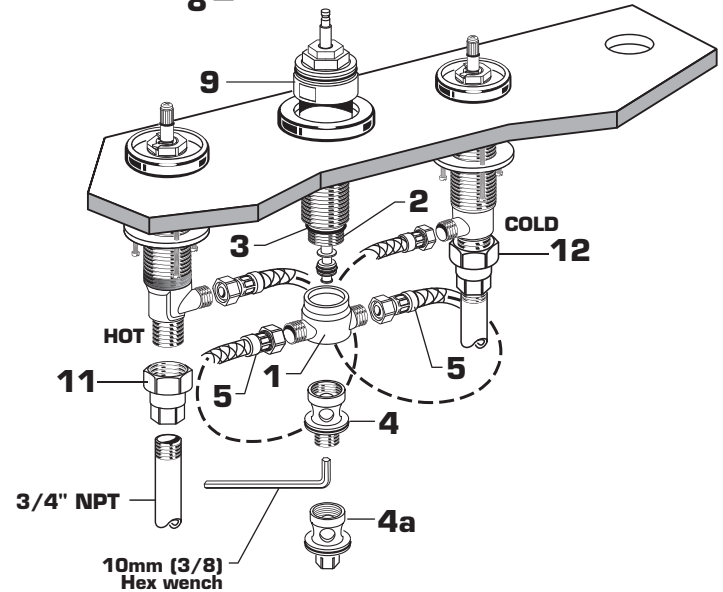
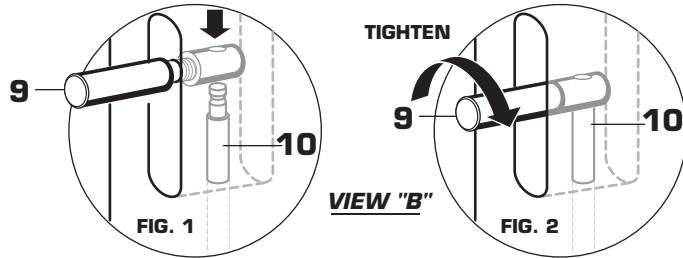
- Press TEE (1) onto SPOUT SHANK (2) making certain that the O-RING (3) is properly seated on SHANK (2).
- Push COUPLING (4) into TEE (1) and thread onto SPOUT SHANK (2). Tighten using a 10mm (3/8") hex wrench. For fitting less hand spray use COUPLING (4a).
- Connect the ends of the two SUPPLY HOSES (5) to the VALVES and TEE (1). Tighten with wrench.



## 3

### INSTALL TUB SPOUT

- Remove PLUG BUTTON (6) from rear of SPOUT (7). Loosen SPOUT SCREW (8) with 4mm hex wrench supplied.
- Install SPOUT (7) onto SPOUT SHANK (9). Align SPOUT (7). Pushing down on SPOUT (7) tighten SET SCREW (8). Insert PLUG BUTTON (6).
- Install DIVERTER KNOB (9) onto LIFT ROD (10) in rear of SPOUT (7). **VIEW "B"** Fig. 1. Thread DIVERTER KNOB (9) clock-wise to secure it to the LIFT ROD (10). **VIEW "B"** Fig. 2.



## 4

### MAKE WATER SUPPLY CONNECTIONS

- Connect HOT water supply to LEFT INLET UNION (11) and COLD water supply to RIGHT INLET UNION (12). Pipe connections are 3/4" NPT. *Union connections are not supplied and must be purchased separately.* Use sealant or Teflon tape on pipe connections. Use sealant or Teflon tape on pipe connections.

**IMPORTANT:** Do not solder directly to valve body.

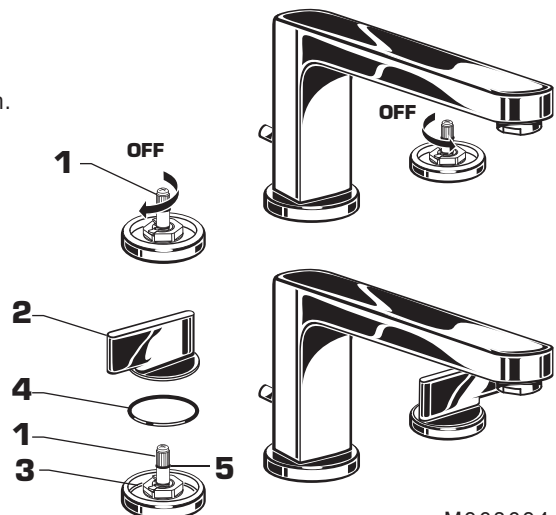
## 5

### INSTALL HANDLES

- Turn VALVE STEMS (1) to the OFF position as shown in illustration.
- Insert O-RINGS (4) into ESCUTCHEONS (3).

**NOTE:** Once the HANDLES (2) are installed they are difficult to remove from the VALVE STEM (1) to make any adjustments. Make sure HANDLES (2) are properly aligned before they are installed onto the VALVE STEMS (1). Only push HANDLES (2) completely down into place when alignment is satisfactory.

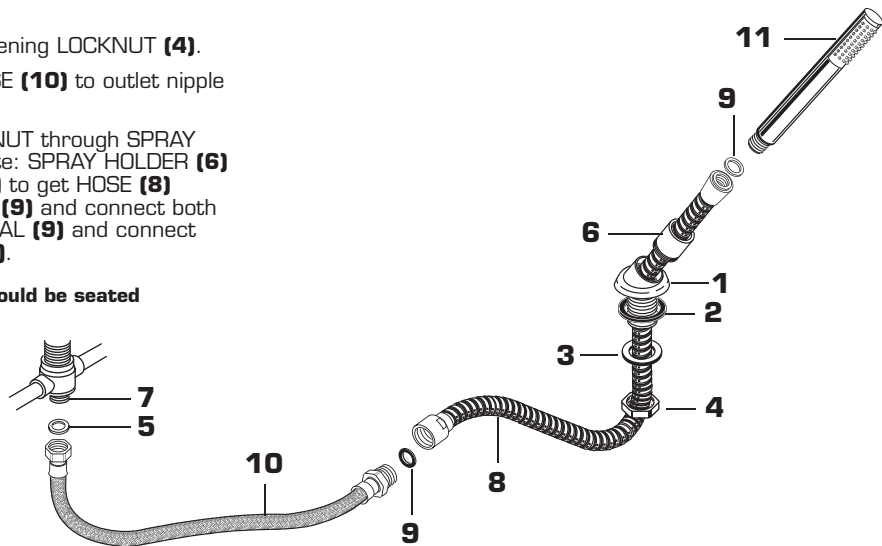
- Align HANDLES (2) as shown. Lubricate O-RING (5) with water. Push HANDLE (2) onto VALVE STEM (1). The HANDLE (2) is installed properly when the top of the handle base is flush with top of ESCUTCHEON (3).



## 6 HANDSHOWER INSTALLATION (FOR MODEL 2506.921 ONLY)

- Drop SPRAY ESCUTCHEON (1) through the fourth hole of the tub ledge (12" max from SPOUT center) with SPRAY ESCUTCHEON (1) directed towards tub center. Be sure RUBBER RING (2) is properly seated in ESCUTCHEON (1). Install RUBBER WASHER (3) and LOCKNUT (4) from underside of ledge.
- Secure SPRAY ESCUTCHEON (1) by tightening LOCKNUT (4).
- Add SEAL WASHER (5) and connect HOSE (10) to outlet nipple at the bottom of TEE (7). Tighten firmly.
- Slip SHOWER HOSE (8) with COUPLING NUT through SPRAY HOLDER (6) and ESCUTCHEON (1). ( Note: SPRAY HOLDER (6) must be separate from ESCUTCHEON (1) to get HOSE (8) through ESCUTCHEON (1).) Install SEAL (9) and connect both HOSES (8) and (10). INSTALL second SEAL (9) and connect HAND SHOWER (11) to SPRAY HOSE (8).

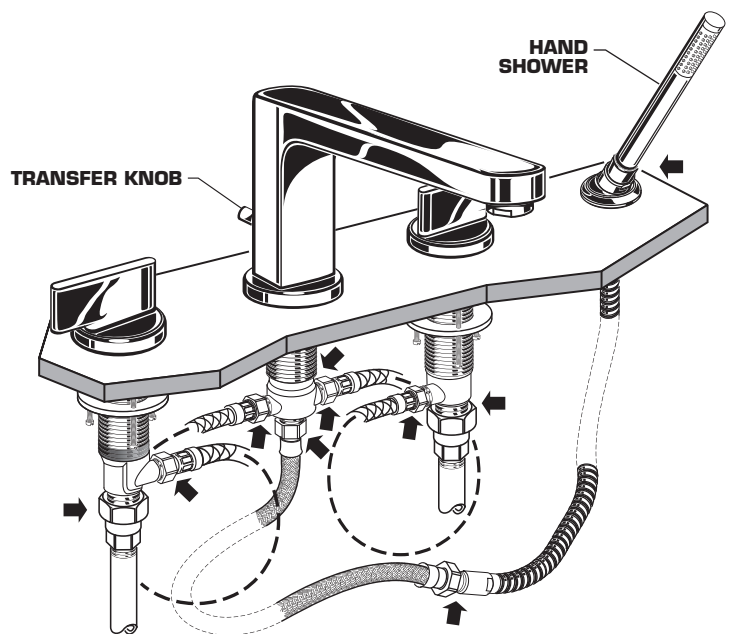
**NOTE** When not in use, HANDSHOWER should be seated in the HOLDER.



## 7 TEST INSTALLED FAUCET

- With HANDLES in OFF position, turn on WATER SUPPLIES and check all connections for leaks. ➡
- Operate both HANDLES to flush water lines thoroughly.
- Lift HAND SHOWER from HOLDER, direct spray into tub. Lift TRANSFER KNOB to check HAND SHOWER and HOSES for leaks.
- Turn handles "off" and replace HAND SHOWER.

**IMPORTANT:** It is strongly recommended that access be provided for all enclosed mechanical parts to this system.



## 8 CARE INSTRUCTIONS:

**DO: SIMPLY RINSE THE PRODUCT CLEAN WITH CLEAR WATER. DRY WITH A SOFT COTTON FLANNEL CLOTH.**

**DO NOT: DO NOT CLEAN THE PRODUCT WITH SOAPS, ACID, POLISH, ABRASIVES, HARSH CLEANERS, OR A CLOTH WITH A COARSE SURFACE.**

## 9 SERVICE

- To change direction of handle rotation, proceed as follows:
  - Turn valve to OFF position. Pull HANDLE (1) up to remove.
  - Remove SCREW (2) and three STEM PIECES (3). Remove SPRING CLIP (4). Lift STOP WASHER (5), turn 90° and replace. Replace SPRING CLIP (4).
  - Replace items (3) and SCREW (2). Push HANDLES (1) onto valve stem.

