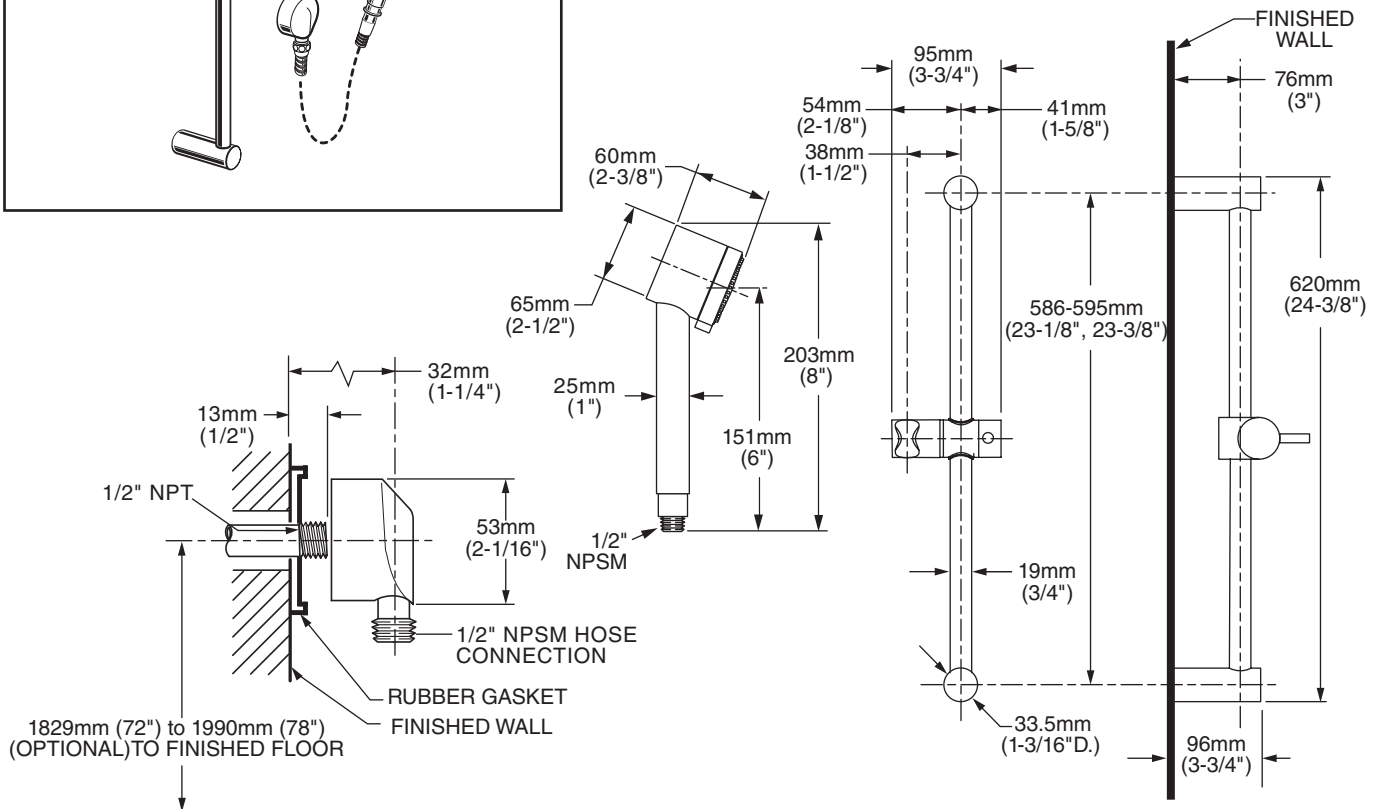


MODEL NUMBER:

2064.724 Shower System Kit

Includes:

- 3 Function Adjustable Hand Shower
- Hose
- Wall Supply
- Slide Bar



GENERAL DESCRIPTION:

Complete shower system kit includes: a wall supply with 1/2" NPT female inlet, 1/2" NPSM male outlet; a 59" (1500mm) shower hose; a hand shower; and a 24" all metal slide bar. Personal shower with 2.5 gpm/9.5L/min. flow restrictor. Adjustable shower holder can be set at any height or position along the bar and angle up to 45°. Kit includes double check valves to prevent cross flow of hot and cold water.

PRODUCT FEATURES:

HAND SHOWER

Lightweight, Ergonomic Design: For a sure grip even with wet, soapy hands.

Simple Spray Pattern Adjustment: Spray patterns can be changed with a flick of the thumb.

Variety of Spray Patterns: Allows the user to select the type of spray best suited to their needs.

SLIDE BAR

Simple Height Adjustment: Allows positioning of the personal shower anywhere along the bar.

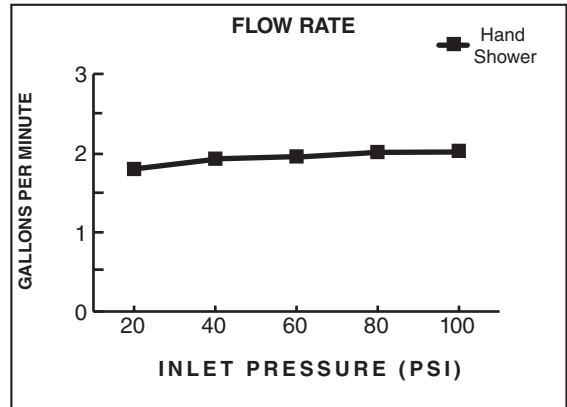
SUGGESTED SPECIFICATION:

Shower system shall feature a wall supply with 1/2" NPT female inlets, 1/2" NPSM male outlet, 59" hose, hand shower and a 620mm (24") all metal slide bar. Hand shower shall be ergonomically designed for a positive grip even when wet. Spray pattern adjustment shall be performed with simple movement of thumb without need to change grip on handle. Kit shall include double check valves to prevent cross flow of hot and cold water. Fitting shall be American Standard Model # 2064.724._____.

CODES AND STANDARDS

Install as required to comply with local code requirements.

ASME A112.18.1
CSA 125



Product Number	Description	Finish Options		
		Polished Chrome	PVD Stainless Steel	PVD Satin Nickel
2064.724	Shower System Kit. Contains hand shower, hose, wall supply and slide bar.	002	075	295