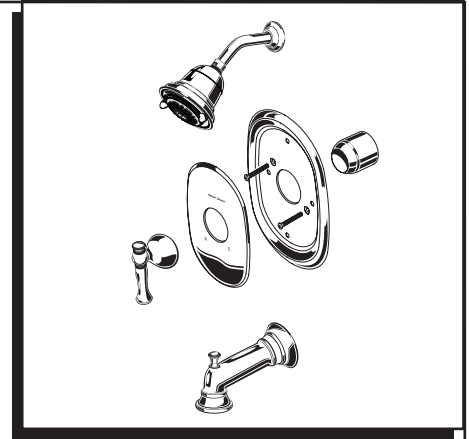


American Standard

**QUENTIN™
BATH/SHOWER TRIM KITS**

**INSTALLATION
INSTRUCTIONS
T440.507
T440.508**



Certified to comply with ANSI A112.18.1

M965429

Thank you for selecting American Standard...the benchmark of fine quality for over 100 years.

To ensure that your installation proceeds smoothly—please read these instructions carefully before you begin.

Recommended Tools



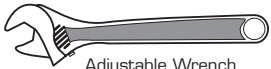
Phillips Screwdriver



Flat Blade Screwdriver



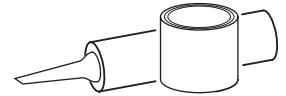
Channel Locks



Adjustable Wrench



Teflon Tape

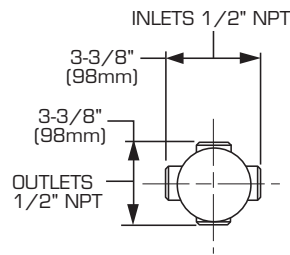
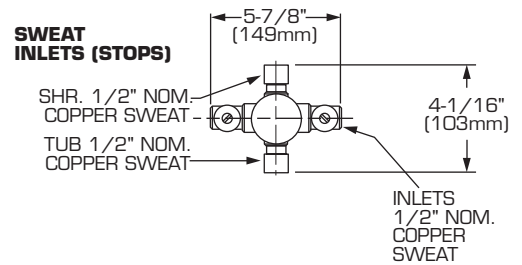
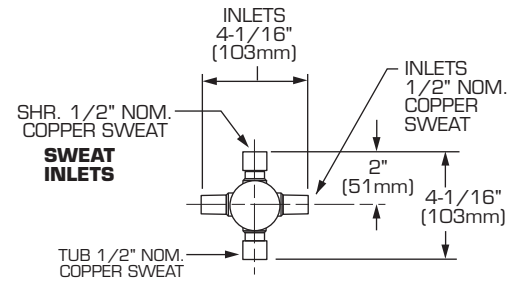
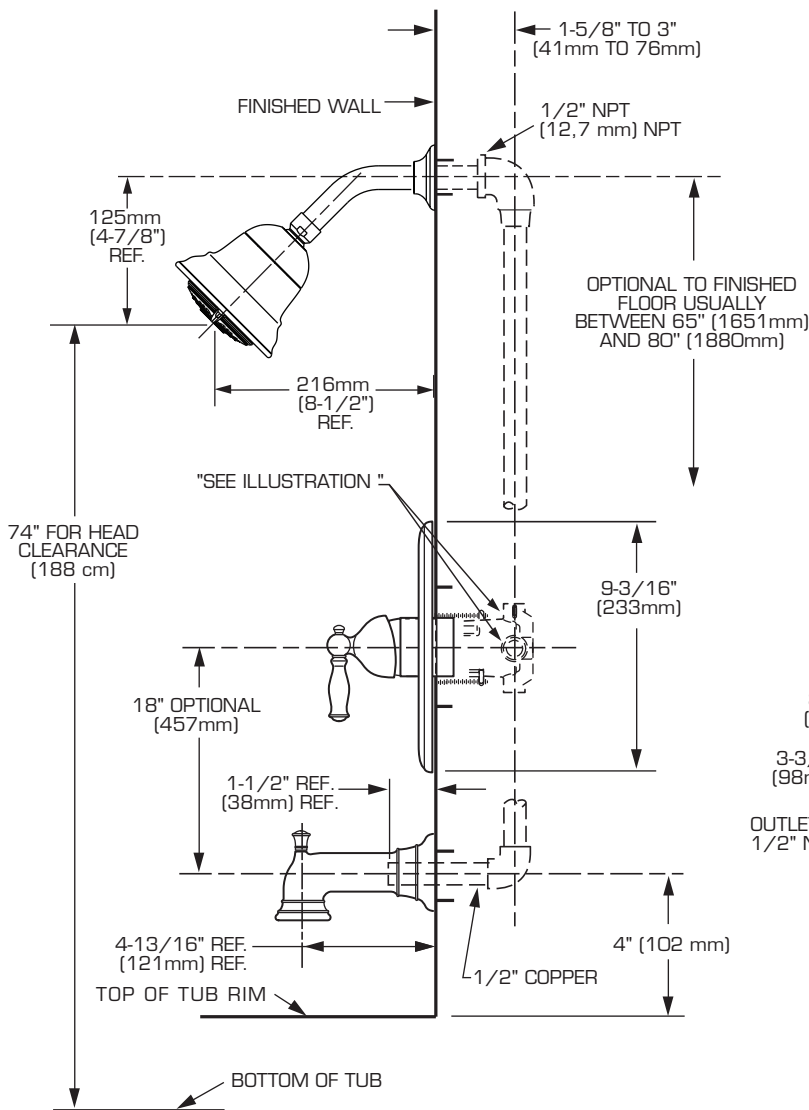


Plumbers' Putty or Caulking

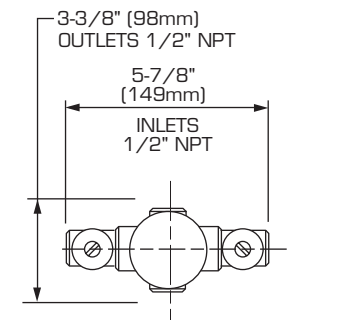
ROUGHING-IN DIMENSIONS

Installation for Bath/Shower, Shower only, or Valve only Trim.

■ Dimensions are for reference.



THREADED INLETS

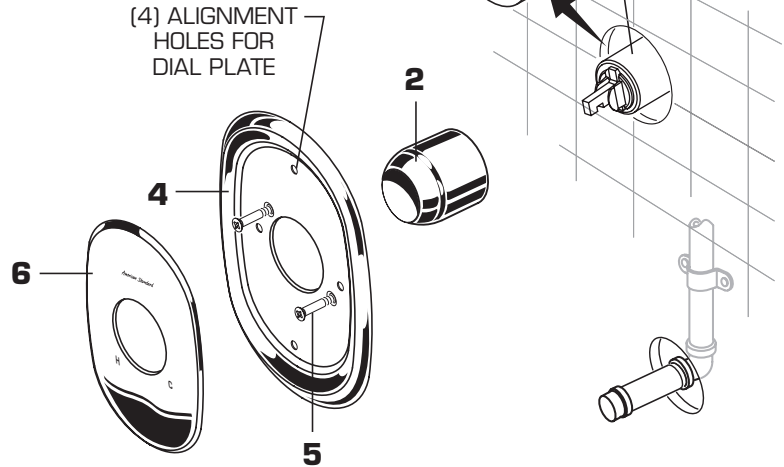


THREADED INLETS (STOPS)

1

INSTALL VALVE TRIM

- When finished tiling the wall, remove PLASTER GUARD (1) and turn off water supply.
- Push CAP (2) over VALVE CARTRIDGE (3).
- Mount ESCUTCHEON (4) to valve body with SCREWS (5).
- Push DIAL PLATE (6) over CAP (2) and into the four alignment holes in ESCUTCHEON (4).

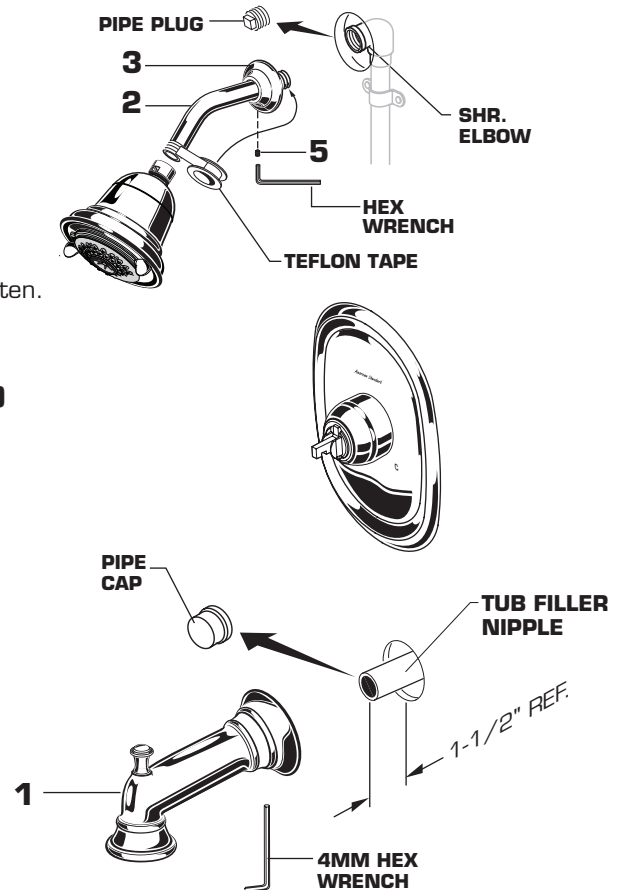


2

INSTALL TUB SPOUT, SHOWER HEAD, SHOWER ARM WITH FLANGE

CAUTION: Protect finish on SHOWER HEAD and TUB SPOUT when installing.

- Remove pipe cap and plug from shower and tub rough piping.
- Slip TUB SPOUT (1) onto tub nipple and tighten with 4mm Hex Wrench.
- Apply Teflon Tape to both ends of SHOWER ARM (2).
- Install SHOWER ARM (2) with FLANGE (3) into shower pipe and tighten.
- Thread SHOWER HEAD (4) onto ARM (2) and tighten.
- Push SHOWER ARM FLANGE (3) to wall and tighten SET SCREW (5) with 5/64" hex wrench.

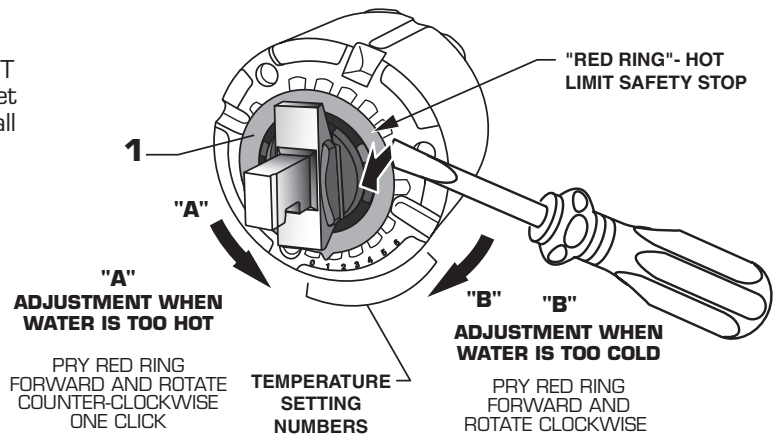


3 ADJUST HOT LIMIT STOP

HOT LIMIT SAFETY STOP ADJUSTMENT

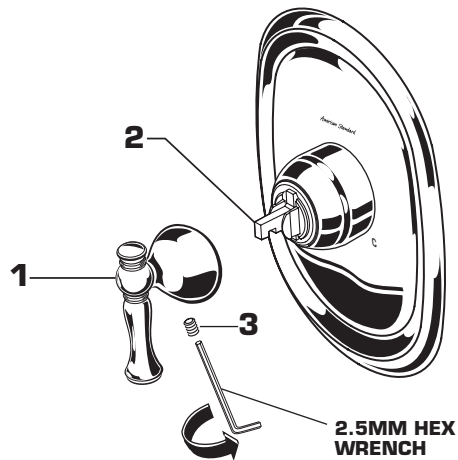
By restricting handle rotation and limiting the amount of hot water allowed to mix with the cold, the HOT LIMIT SAFETY STOP reduces risk of accidental scalding. To set the maximum hot water temperature of your faucets, all you need to do is adjust the setting on the HOT LIMIT SAFETY STOP.

- Use a flat blade screwdriver or your fingers to pull up and rotate red HOT LIMIT SAFETY STOP **(1)**. Follow Step "A" or "B" to adjust min./max. discharge temperature. "0" being the hottest to "7" the coldest temperature setting. Factory set at "0".



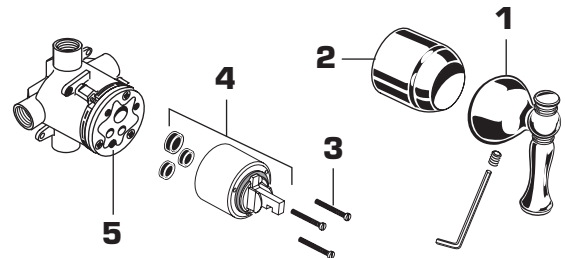
4 HANDLE INSTALLATION

- Install HANDLE **(1)** by pushing it onto CARTRIDGE STEM **(2)** and tightening SET SCREW **(3)** from below with 2.5mm Hex Wrench supplied.



5 SERVICE

- If faucet drips, operate handle several times from "off" to "on". Do not apply excessive force.
- Clogged CARTRIDGE **(4)** inlets may cause reduced flow in "full on" hot or cold. To clean inlets, first turn off water supply, then:
 - Remove HANDLE **(1)**, CAP **(2)** and CARTRIDGE **(4)**. Clean inlets and MANIFOLD **(5)**.
 - Reassemble CARTRIDGE **(4)**, alternately tightening SCREWS **(3)**.
 - Replace CAP **(2)** and HANDLE **(1)**. Check flow.



6 CARE INSTRUCTIONS:

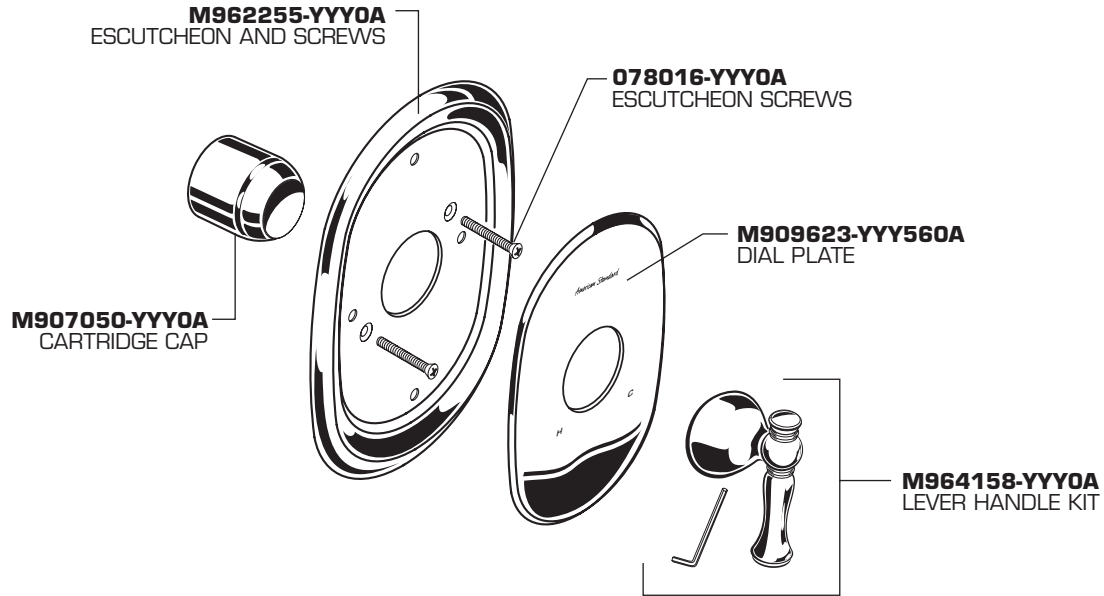
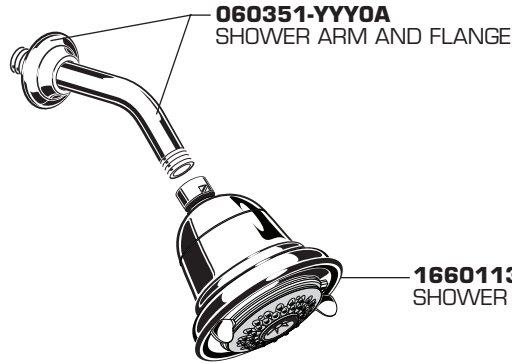
DO: SIMPLY RINSE THE PRODUCT CLEAN WITH CLEAR WATER. DRY WITH A SOFT COTTON FLANNEL CLOTH.

DO NOT: DO NOT CLEAN THE PRODUCT WITH SOAPS, ACID, POLISH, ABRASIVES, HARSH CLEANERS, OR A CLOTH WITH A COARSE SURFACE.

American Standard

**QUENTIN™
BATH/SHOWER
TRIM KITS
MODEL NUMBER**

**T440.507
T440.508**



Replace the "YYY" with appropriate finish code

CHROME	002
OIL RUBBED BRONZE	224
SATIN NICKEL	295



HOT LINE FOR HELP

For toll-free information and answers to your questions, call:
1-800-442-1902
Weekdays 8:00 a.m. to 6:00 p.m. EST
IN CANADA 1-800-387-0369 (TORONTO 1-905-306-1093)
Weekdays 8:00 a.m. to 7:00 p.m. EST
IN MEXICO 01-800-839-12-00

Product names listed herein are trademarks of American Standard Inc.
© AS America, Inc. 2012

M965429