

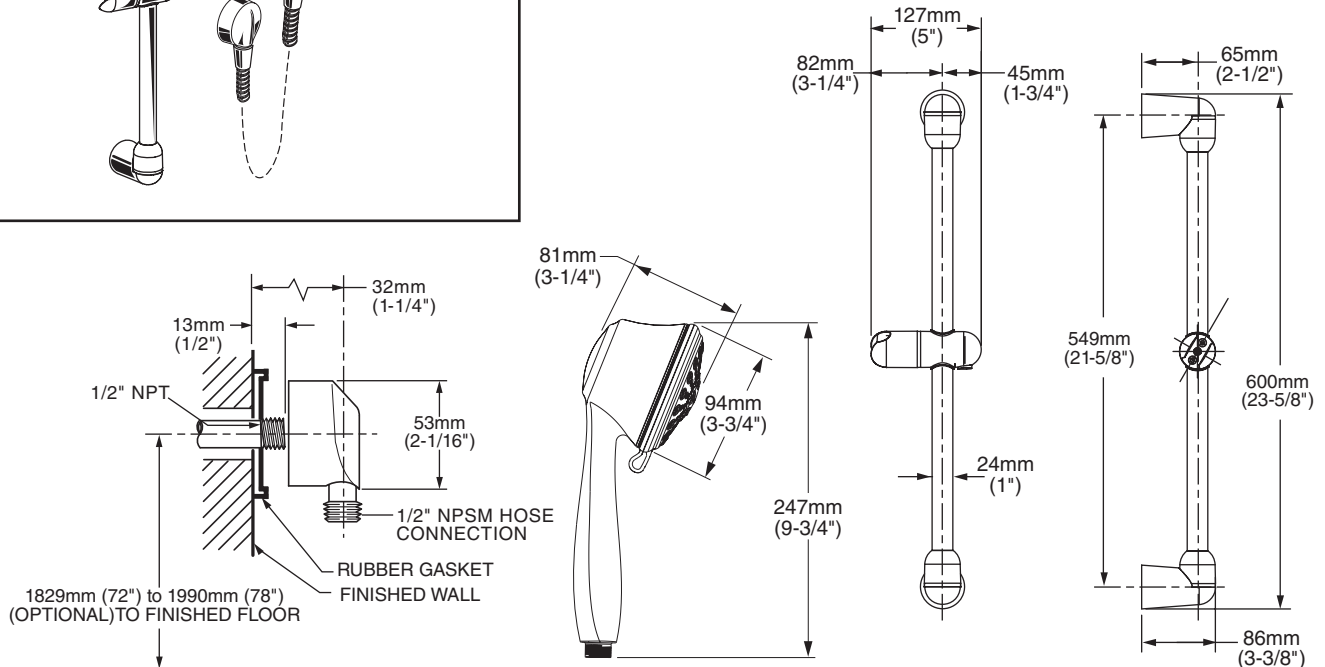


MODEL NUMBER:

☐ **1660.628 Traditional 5-Function Shower System Kit**

Includes:

- Traditional 5-function Hand Shower
- Hose
- Wall Supply
- Standard Slide Bar



GENERAL DESCRIPTION:

Complete shower system kit includes: a wall supply with 1/2" NPT female inlet, 1/2" NPSM male outlet; a 59" (1500mm) shower hose; a Traditional 5-function hand shower; and a 25" standard slide bar. Hand shower adjusts from full spray to full/massage combination (1) to pulsating massage to massage/mist combination (2) to power mist. Hand shower includes pressure compensating flow control device. Kit includes double check valves to prevent cross flow of hot and cold water. Easy clean spray nozzles. Hand Shower rated at 2.5gpm/9.5L/min. maximum flow rate. Adjustable shower holder can be set at any height or position along the bar and angle up to 45°.

PRODUCT FEATURES:

HAND SHOWER

Variety of Spray Patterns: Allows the user to select the type of spray best suited to their needs.

Pressure Compensating Flow Control Device: Provides consistent flow over a wide pressure range.

Simple Spray Pattern Adjustment: Spray patterns can be changed with a flick of the thumb.

Lightweight, Ergonomic Design: For a sure grip even with wet, soapy hands.

Easy Clean Spray Nozzles: Easily clean lime and calcium buildup. Nozzles will not clog.

SLIDE BAR

Simple Height Adjustment: Allows positioning of the personal shower anywhere along the bar.

SELECTION OF FINISHES

Available Finishes: Wide range of durable finishes.

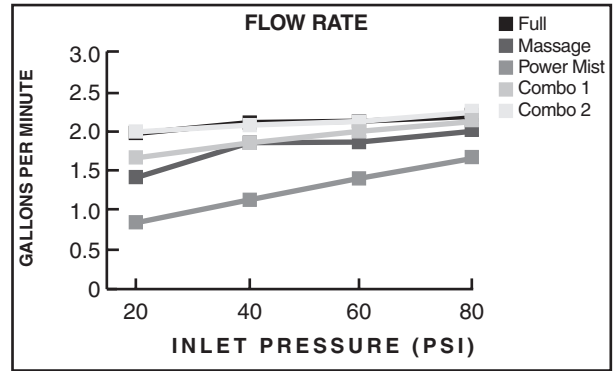
SUGGESTED SPECIFICATION:

Shower system shall feature a wall supply with 1/2" NPT female inlets, 1/2" NPSM male outlet, 59" hose, water saving hand shower and a 25" standard slide bar. Hand Shower shall have a pressure compensating flow control device. Kit shall include double check valves to prevent cross flow of hot and cold water. Fitting shall be American Standard Model # 1660.628.____.

CODES AND STANDARDS

Install as required to comply with local code requirements.

ASME A112.18.1
CSA 125



Product Number	Description	Finish Options	
		Polished Chrome	PVD Satin Nickel
		002	295
1660.628	Traditional 5-function Shower System Kit. Contains 5-function hand shower, hose, wall supply and standard slide bar.		