

# INSTALLATION INSTRUCTIONS

American Standard

Style That Works Better

## Champion®4

Model 2004 Normal Height Elongated One Piece Toilet  
Model 2034 Right Height™ Elongated One Piece Toilet



**CHAMPION®4**  
Flushing System

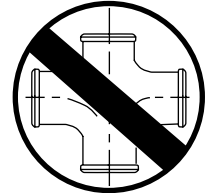
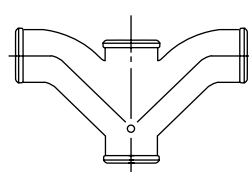
Thank you for selecting American Standard - the benchmark of fine quality for over 100 years. To ensure this product is installed properly, please read these instructions carefully before you begin. (Certain installations may require professional help.) Also be sure your installation conforms to local codes.

**CAUTION: PRODUCT IS FRAGILE. TO AVOID BREAKAGE AND POSSIBLE INJURY HANDLE WITH CARE!**

NOTE: Pictures may not exactly define contour of china and components.

### NOTE: BACK-TO-BACK INSTALLATION

Depending upon your plumbing and venting conditions, the flow from the Champion in a back-to-back installation may create a vacuum on the system and draw water from the opposing bowl. The National Standards Plumbing Code prohibits the use of a cross fitting for drainage as throw over is possible. The code does approve a directional "Y" style fitting with proper venting to direct the water downward and away from the other toilet.



Recommended fitting type for back-to-back installations.

### RECOMMENDED TOOLS AND MATERIALS

Regular Screwdriver  
Wax Ring/Gasket

Adjustable Wrench  
Flexible Supply Tube

Putty Knife  
Closet Bolts

Sealant  
Hacksaw

Carpenters Level  
Tape Measure

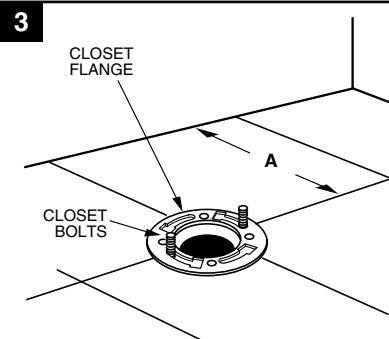
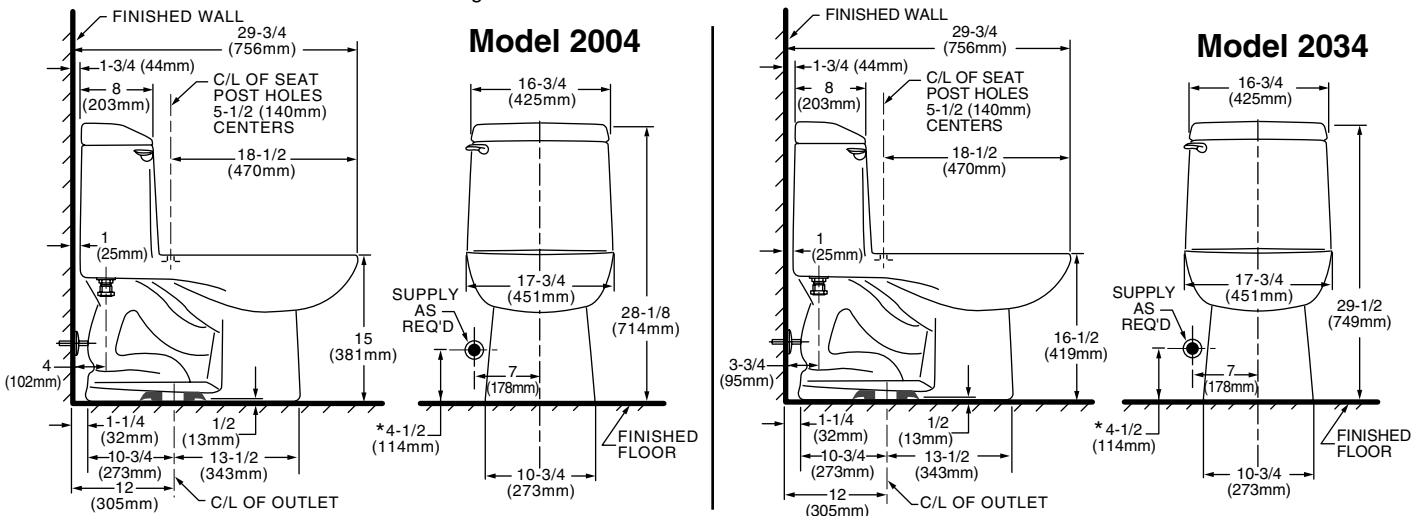
### 1 REMOVE OLD TOILET

- Close toilet supply valve and flush tank completely. Towel or sponge remaining water from tank and bowl.
- Disconnect and remove supply line. NOTE: If replacing valve, first shut off main water supply!
- Remove old mounting hardware, remove toilet and plug floor waste opening to prevent escaping sewer gases.
- Remove closet bolts from flange and clean away old wax, putty, etc. from base area.

NOTE: Mounting surface must be clean and level before new toilet is installed!

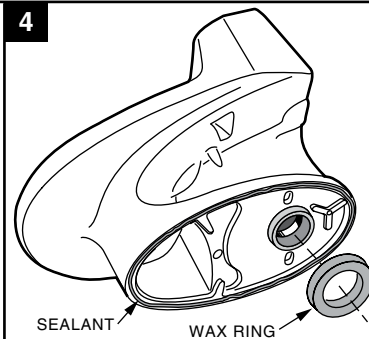
### 2 ROUGHING-IN DIMENSIONS:

NOTE: Distance from wall to closet flange centerline must be as listed below:



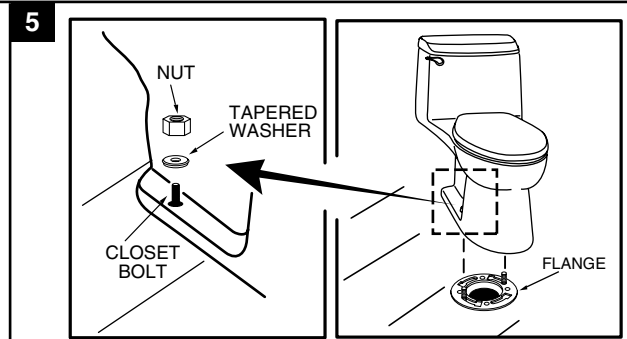
### 3 INSTALL CLOSET BOLTS

Install closet bolts in flange channel, turn 90°, and slide into place 6" (152mm) apart and parallel to wall.



### 4 INSTALL WAX SEAL

Invert toilet on floor (cushion to prevent damage), and install wax ring evenly around waste flange (horn), with tapered end of ring facing toilet. Apply a thin bead of sealant around toilet base.

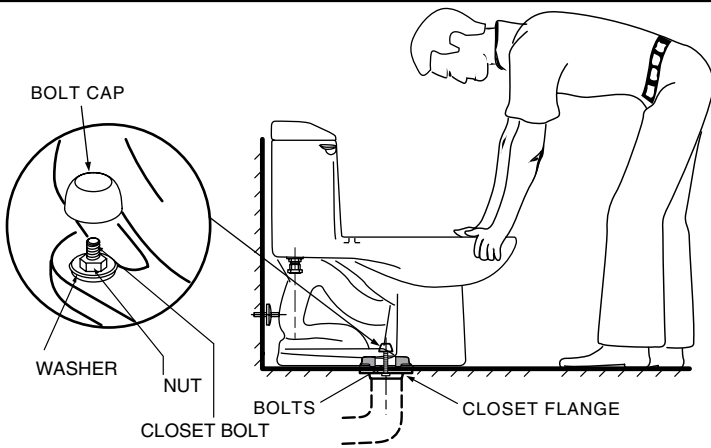


### 5 POSITION TOILET ON FLANGE

- Unplug floor waste opening and install toilet on closet flange so bolts project through mounting holes.
- Loosely install retainer washers and nuts. Side of washers marked "THIS SIDE UP" must face up!

SAVE FOR FUTURE USE

6



**INSTALL TOILET**

- a. Position toilet squarely to wall and, with a rocking motion, press bowl down fully on wax ring and flange. Alternately tighten nuts until toilet is firmly seated on floor.



**CAUTION:**  
DO NOT OVERTIGHTEN NUTS  
OR BASE MAY BE DAMAGED!

- b. Install caps on washers. (If necessary, cut bolt height to size before installing caps.)
- c. Smooth off the bead of sealant around base. Remove excess sealant.

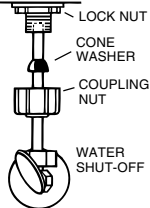
7

**INSTALL TOILET SEAT** Install toilet seat in accordance with manufacturer's directions.

8a

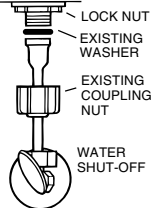
Before continuing, determine the type of water supply connection you have from the chart below and use the appropriate assembly parts required to properly reconnect the water supply. **DO NOT** use plumber's putty to seal these fittings.

**METAL/COPPER FLARED TUBING**



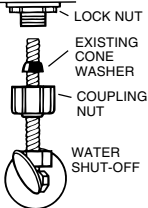
These parts must be used as illustrated to insure water-tight connection. Use of existing coupling nut may result in water leakage. Water supply tube or pipe must extend at least 1/2" inside threaded shank of valve (does not apply to flanged tubing).

**METAL FLANGED TUBING**



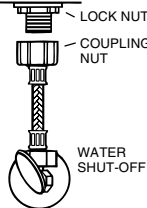
Use existing coupling nut and washer.

**METAL SPIRAL TUBING**



Use existing spiral cone washer. Fluidmaster cone washer may not seal completely on spiral type supply line.

**VINYL/BRAIDED CONNECTOR**



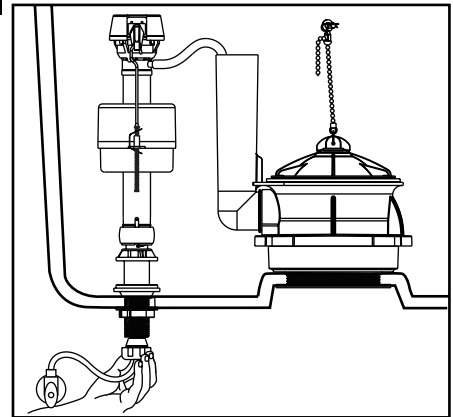
Captive cone washers already included. No additional washers needed.

**CAUTION: DO NOT USE CONE WASHER WITH PLASTIC SUPPLY LINE.**

**CAUTION: Overtightening of LOCK NUT or COUPLING NUT could result in breakage and potential flooding.**

**WARNING:** Do not use plumber's putty, pipe dope, or any other sealant on the water supply connection to this tank. If the connection leaks after hand tightening, replace the supply line. If the connection continues to leak with the new supply line, replace the fill valve. **Warranty is void if any type of sealant is used on the water supply connection.**

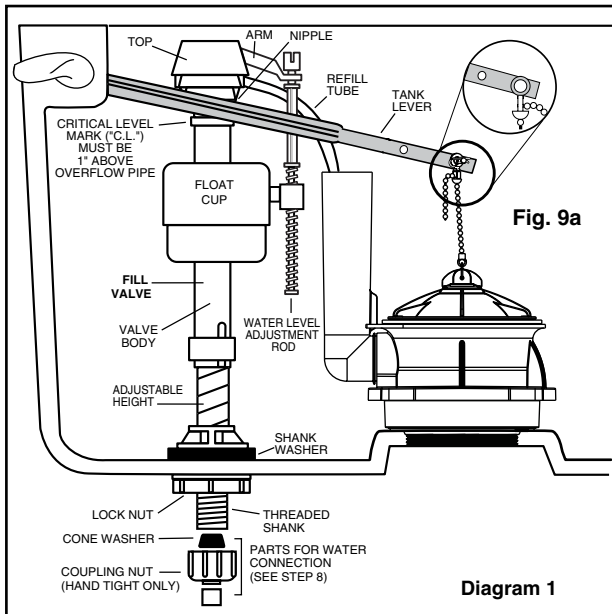
8b



With correct washers in place (see Step 8a), tighten COUPLING NUT 1/4 turn beyond hand tight.

**DO NOT OVERTIGHTEN.**

9



**ADJUSTMENTS:**

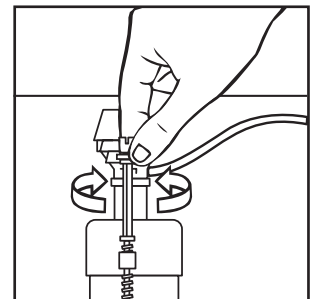
- a. Turn supply on.

Adjust water level to level indicated on tank by adjusting float cup. See Step 10.

- b.

If bowl fails to siphon, an adjustment may be required with the lift chain. Simply remove the bead chain from the retainment clip (see Fig. 9a) and take up slack on the chain, and reinsert on lift rod. Make sure the chain is not too taut.

10

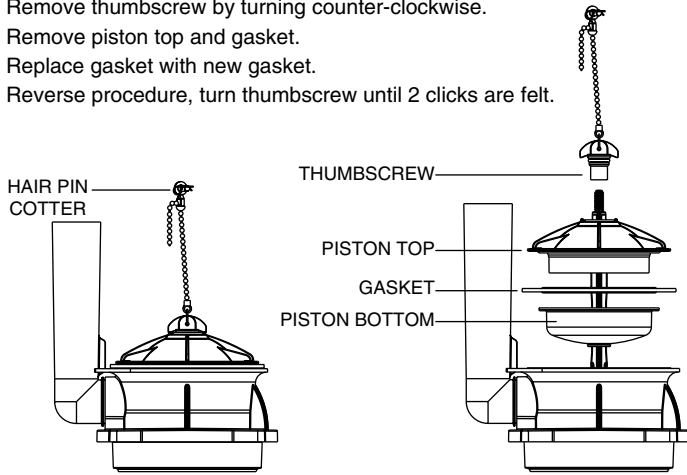


Turn on water supply. Submerge the FLOAT CUP under the water for 30 seconds. Adjust the water to desired level by turning WATER LEVEL ADJUSTMENT ROD and moving FLOAT CUP up or down.

**11 TROUBLE SHOOTING FLUSH VALVE SEAL LEAKS:**  
Lift piston up by pulling up on the lift chain, inspect seal for visible distortion and presence of debris on sealing surface with finger.

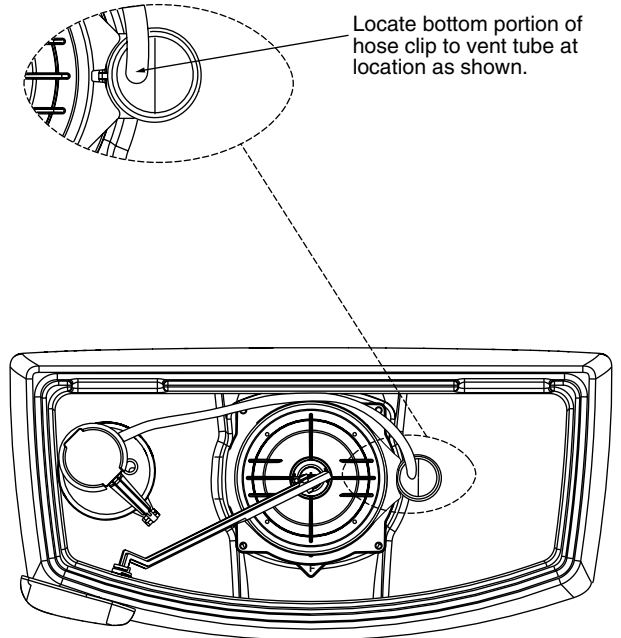
**SEAL REPLACEMENT:**

1. Turn off water supply and flush toilet to empty tank.
2. Disconnect Chain from Trip Lever by removing Hair Pin Cotter and Clevis Pin.
3. Partially lift and support piston bottom with one hand.
4. Remove thumbscrew by turning counter-clockwise.
5. Remove piston top and gasket.
6. Replace gasket with new gasket.
7. Reverse procedure, turn thumbscrew until 2 clicks are felt.



**NOTE:** DO NOT ADD ANY FOREIGN MATERIALS TO THE SEALING SURFACE.

**11a REFILL TUBE REPLACEMENT:**



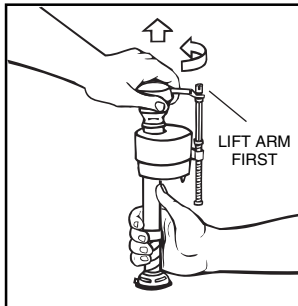
**12 CARE AND CLEANING**

When cleaning your toilet, wash it with mild, soapy water, rinse thoroughly with clear water and dry with a soft cloth.

**WARNING:** Do not use in-tank cleaners. These products can seriously damage fittings in the tank. This damage can cause leakage and property damage.

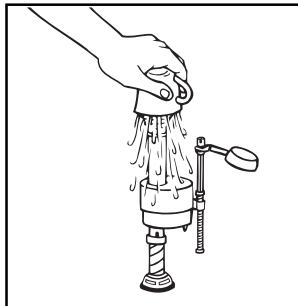
**American Standard shall not be responsible or liable for any damage caused by the use of in-tank cleaners.**

**13**

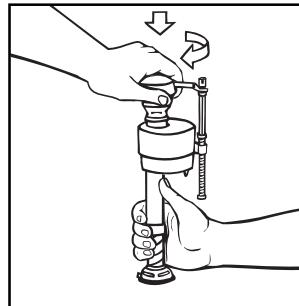


**IMPORTANT: Always clear sand and rust from system.**

- Make sure water supply is off.
- Remove valve TOP by lifting arm and rotating top and arm 1/8 turn counterclockwise, pressing down slightly on cap.



- While holding a container over the uncapped VALVE to prevent splashing, turn water supply on and off a few times. Leave water supply off.



- Replace TOP by engaging lugs and rotating 1/8 turn clockwise. MAKE CERTAIN TIP IS TURNED TO THE LOCKED POSITION. VALVE MAY NOT TURN ON IF TOP IS NOT FULLY TURNED TO THE LOCKED POSITION.

**TROUBLESHOOTING**

**IF FILL VALVE SHUTS OFF BUT CONTINUES TO LEAK SLOWLY,** repeat Step 13.

**IF FILL VALVE TURNS OFF AND ON DURING PERIODS OF NON-USE,** it is a signal you are wasting water because:

- The end of the refill tube is inserted into overflow pipe, below water level in tank. Attach refill tube to overflow pipe using "S" clip provided.
- The flush valve is leaking because it's worn, dirty or misaligned.

**IF FILL VALVE WON'T TURN ON OR SHUT OFF or REFILL OF TANK WATER IS SLOW after valve has been in use for some time,** Fluidmaster Model 242 Replacement Seal may be needed.

Go to our website at [www.fluidmaster.com](http://www.fluidmaster.com) for more solutions to toilet problems.

For troubleshooting information please contact:

**Fluidmaster Inc**

30800 Rancho Viejo Road  
San Juan Capistrano, CA 92675  
(949) 728-2000 (800) 631-2011  
[www.fluidmaster.com](http://www.fluidmaster.com)

© 2001 Fluidmaster, Inc.  
® Registered trademark of Fluidmaster, Inc.

Always use quality Fluidmaster repair parts when maintaining your Fluidmaster products. Fluidmaster shall not be responsible or liable for any damages caused by products used with Fluidmaster valves that were not manufactured by Fluidmaster, Inc.

<b>REPAIR PARTS LIST</b>		<b>2004.014</b>	<b>2004.314</b>	<b>2034.014</b>	<b>2034.314</b>	<b>2034.004</b>
Repair parts are determined by toilet tank number which can be found marked inside tank. <b>NOTE:</b> "XXX" represents color or trim finish options. Specify when ordering.						
<b>PART NO.</b>	<b>DESCRIPTION</b>					
738772-XXX0A	Champion®4 Trip Lever Assembly	✓	✓	✓	✓	
735105-XXX0A	Champion®4 Chinaware Tank Cover	✓	✓	✓	✓	
5325.010.XXX	Champion®4 Seat		✓		✓	
738565-425.0070A	Champion®4 Water Control Assembly	✓	✓	✓	✓	✓
7301111-0070A	Champion®4 Valve Seal Kit	✓	✓	✓	✓	✓
3280.040-0070A	Champion®4 Flush Valve Assembly	✓	✓	✓	✓	✓
738826-0070A	Champion®4 Adapter Assembly - Kit #247	✓	✓	✓	✓	✓
738570-1020A	Champion®4 PVC Refill Tube	✓	✓	✓	✓	✓
738985-0070A	Champion®4 Clevis Pin Assembly	✓	✓	✓	✓	✓
738963-XXX0A	Traditional Trip Lever Assembly					✓
738126-XXX0A	Traditional Chinaware Tank Cover					✓
5260.012.XXX	Traditional Seat					✓
7301134-XXX0A	Traditional Bolt Cap Kit					✓
034783-XXX0A	Bolt Cap Kit - #128	✓	✓	✓	✓	
072989-0070A	Refill Tube Clip	✓	✓	✓	✓	✓

<b>TROUBLESHOOTING GUIDE</b>		
<b>PROBLEM</b>	<b>POSSIBLE CAUSE</b>	<b>CORRECTIVE ACTION</b>
Does not flush	a. Water supply valve closed. b. Supply line blocked. c. Flush valve chain too loose or disconnected. d. Sand or debris lodged in water control.	a. Open valve and allow water to fill tank. b. Shut off water supply, disconnect supply line and inspect all gaskets and washers. Reassemble. Also, see Fluidmaster maintenance. (see Step 13) c. Readjust chain length as required. d. Shut off water supply. Remove cap and clean as per Step 13.
Poor or sluggish flush	a. Bowl water level too low. b. Supply valve partly closed. c. Partially clogged trapway and/or drain pipe and/or vent. d. Supply pressure too low. e. Flush valve chain too tight, holding flush valve open.	a. Check that refill tube is connected to water control and inserted into tank overflow without being kinked or damaged. (see Step 11a) b. Open supply valve fully. Be sure that proper supply tube size is used. c. Remove obstruction. Consult a plumber if necessary. d. Normal supply pressure must be at least 20 psi. e. Readjust chain length as needed. Review Step 9b.
Toilet leaks	a. Poor supply line connection. b. Poor bowl to tank/floor connection.	a. Review Step 8 of installation procedure. b. Review Step 4 through 6 of installation procedure.
Toilet does not shut off	a. Flush valve seal leaking or deformed. b. Sand or debris lodged in water control.	a. Clean debris from seal surface. Replace flush valve seal as needed. (see Step 11) b. Shut off water supply. Remove cap and clean as per Step 13.