

American Standard

Installation Instructions

HAMPTON BAR SINK FAUCETS

2770.702
2770.712
2770.732

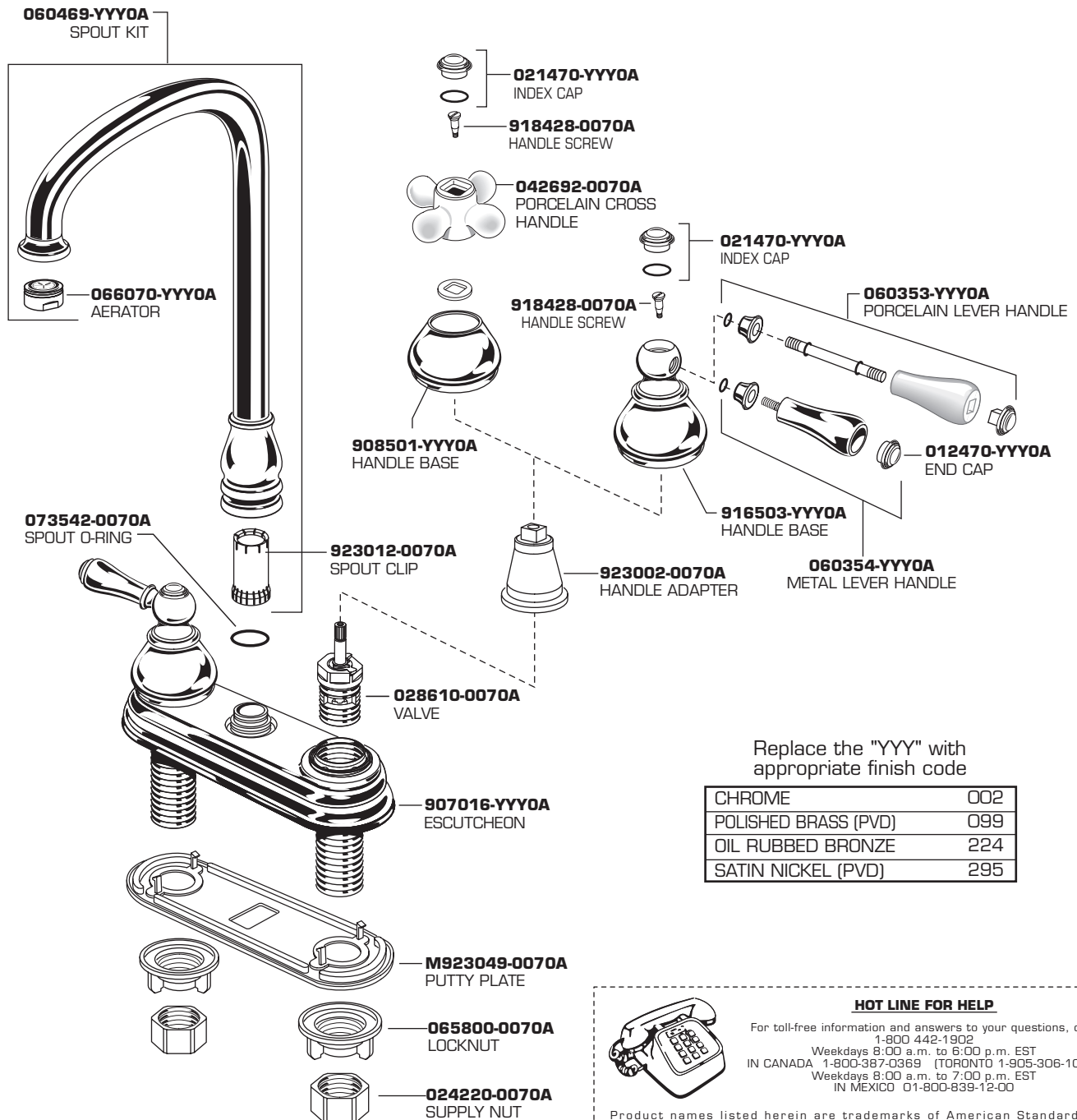
Thank you for selecting American-Standard...
the benchmark of fine quality for over 100 years.

To ensure that your installation proceeds smoothly...
please read these instructions carefully before you begin.



Certified to comply with ANSI A112.18.1M
U.S. Patent No. 5,819,789

M968945 REV 1.3



HOT LINE FOR HELP

For toll-free information and answers to your questions, call:
1-800-442-1902
Weekdays 8:00 a.m. to 6:00 p.m. EST
IN CANADA 1-800-387-0369 (TOLLFREE) 1-905-306-1093
Weekdays 8:00 a.m. to 7:00 p.m. EST
IN MEXICO 01-800-839-1200

Product names listed herein are trademarks of American Standard Inc.
© AS America, Inc. 2008

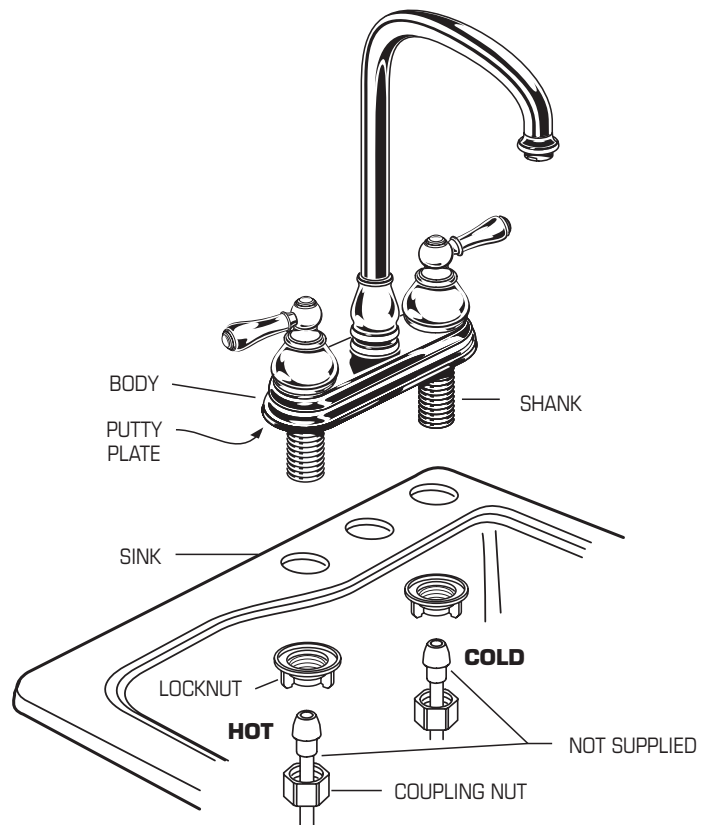
1

INSTALL FAUCET

CAUTION

Turn off hot and cold water supplies before beginning.

- Place faucet in position on sink.
- Assemble and tighten LOCKNUTS from underside of SINK.
- Connect the HOT water supply to the left SHANK and the COLD water supply to the right SHANK using appropriate connectors and sealant (not supplied), and COUPLING NUTS.



2

TEST INSTALLED FAUCET

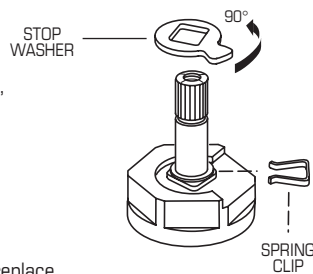
- Remove AERATOR.
- With handles in OFF position, turn on water supplies and check all connections for leaks.
- Operate both handles to flush water lines thoroughly.
- Turn handles into OFF position and replace AERATOR.

3

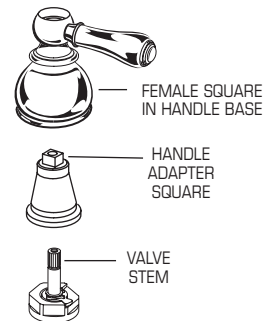
SERVICE

- To change direction of handle rotation, proceed as follows:

- Turn valve to OFF position.
- Pull out INDEX CAP and remove HANDLE SCREW.
- Pull off HANDLE BASE and remove ADAPTER.
- Remove SPRING CLIP.
- Lift STOP WASHER, turn 90° and replace.
- Replace SPRING CLIP.
- Reinstall HANDLE.



- Handle alignment.
- Check alignment, if not satisfactory aligned;
- Push out ADAPTER carefully.
- Turn ADAPTER either 45° or 90° so that male square on ADAPTER catches different female square in HANDLE BASE.
- Assemble and tighten MOUNTING SCREW.
- Push INDEX CAP in top of HANDLE.



- AERATOR may accumulate dirt causing distorted and reduced water flow. Remove AERATOR and rinse clean.

- If spout drips, operate handles several times from OFF to ON position. Do not force - handles turn only 90°.

4

CARE INSTRUCTIONS:

DO: SIMPLY RINSE THE PRODUCT CLEAN WITH CLEAR WATER. DRY WITH A SOFT COTTON FLANNEL CLOTH.

DO NOT: DO NOT CLEAN THE PRODUCT WITH SOAPS, ACID, POLISH, ABRASIVES, HARSH CLEANERS, OR A CLOTH WITH A COARSE SURFACE.