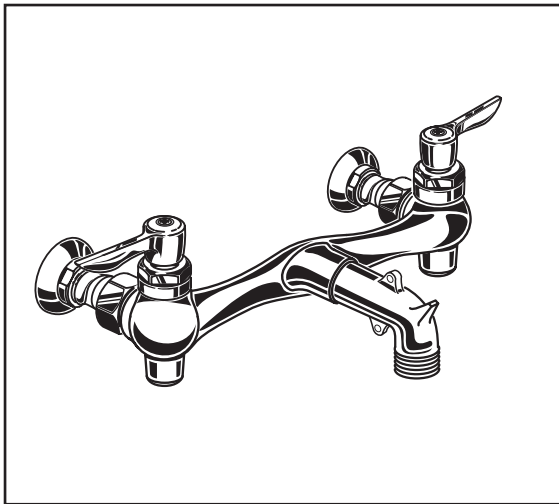
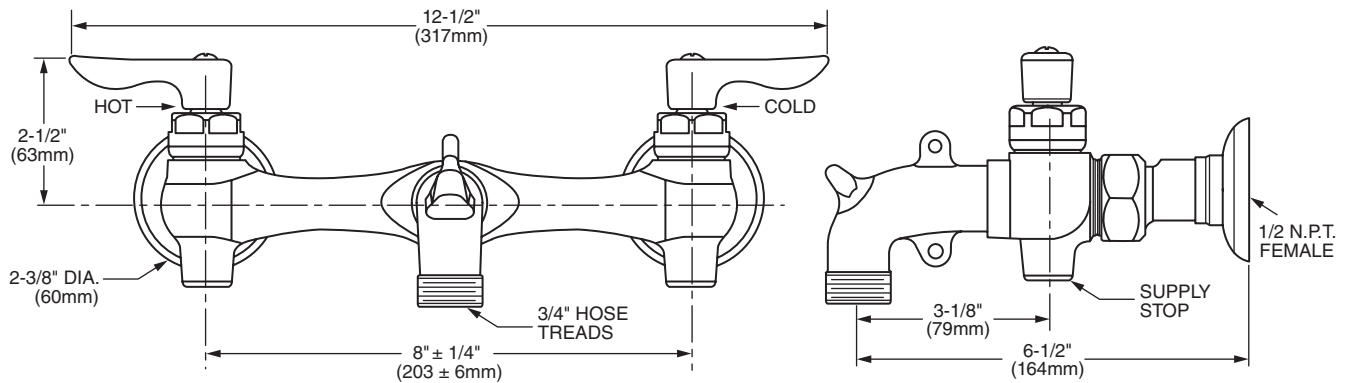


EXPOSED YOKE WALL-MOUNT UTILITY FAUCET



MODEL NUMBER:

- 8350.235 Exposed Yoke Wall-Mount Utility Faucet**
 3" Cast brass spout. Ceramic disc valves. Integral supply stops. Vandal-resistant metal lever handles. Bucket hook. 3/4" Threaded hose end. 1/2" NPT female inlets.



GENERAL DESCRIPTION:

Cast brass body. Metal lever handles with hot and cold indicators and vandal-resistant screws. 1/4 turn ceramic disc valve cartridges. Integral supply stops. Spout with bucket hook and threaded hose end. 1/2" female inlets with adjustable centers from 7-3/4" - 8-1/4" (197mm - 210mm).

PRODUCT FEATURES:

Cast Brass Construction: Durable - Excellent in high use applications.

Ceramic Disc Valve Cartridges: Assure a lifetime of drip-free performance.

Integral Supply Stops: Permits easy and convenient access.

Choice of Finishes: Available in Polished Chrome (002) or Rough Chrome (004).

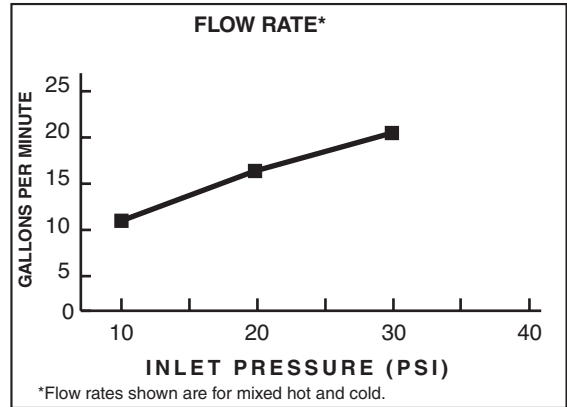
SUGGESTED SPECIFICATION

Exposed yoke wall-mount utility faucet shall feature a cast brass body with integral stops. Cast brass spout with bucket hook and vandal-resistant metal lever handles. Shall also feature 1/4 turn washerless ceramic disc valve cartridges. Fitting shall be American Standard Model # 8350.235.____.

CODES AND STANDARDS

These products meet or exceed the following codes and standards:

- ASME A112.18.1**
- CSA B 125**
- ANSI A117.1**



Product Number	Description	Finish Options	
		Polished Chrome 002	Rough Chrome 004
8350.235	Exposed yoke wall-mount utility faucet. Ceramic disc valves. Vandal resistant lever handles.		

 MEETS THE AMERICANS WITH DISABILITIES ACT GUIDELINES AND ANSI A117.1 REQUIREMENTS FOR ACCESSIBLE AND USABLE BUILDING FACILITIES-CHECK LOCAL CODES