

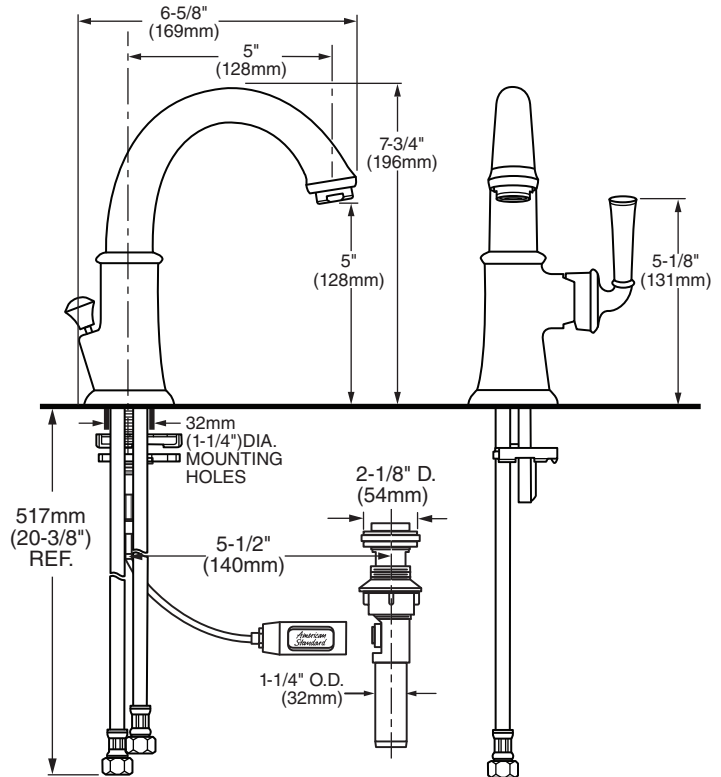
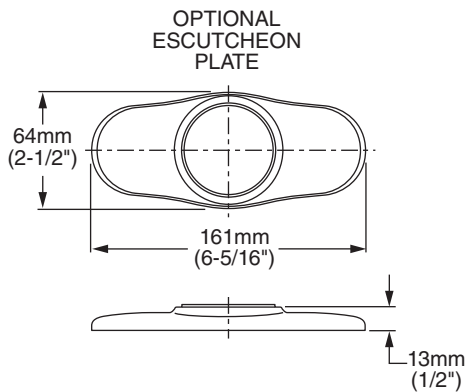


**MODEL NUMBER:**

- ☐ **7420.101 Single Control Lavatory**  
Metal Speed Connect® Pop-up drain.  
Metal Lever Handles.

**AVAILABLE ACCESSORY:**

- ☐ **7420.101P Escutcheon Plate Only**



**GENERAL DESCRIPTION:**

Cast brass swivel spout (spout can be locked if desired). Metal Lever handle. Washerless 28mm ceramic disc valve cartridge. Braided flexible supply hoses with 3/8" compression connectors. 20 inch (500mm) long flexible stainless steel drain cable is pre-assembled to spout. Metal Speed Connect® drain body with 1-1/4 inch (32mm) tail piece. 1.5 gpm/5.7L/min. maximum flow rate. Fitting can be mounted on 4" centers using optional escutcheon (7420.101P) or single hole mounting method.

**PRODUCT FEATURES:**

**Brass Swivel Spout:** Durable. Easy to clean. Ideal for prolonged contact with water.

**Ceramic Disc Valve Cartridge:** Assures a lifetime of smooth handle operation and drip-free performance.

**Lead Free:** Faucet contains ≤0.25% total lead content by weighted average.

**Exclusive Speed Connect Metal Drain:**

- Fewer parts. Installs in less time.
- No adjustments required - seals the first time, every time.
- Flexible stainless steel cable - installs effortlessly in tight spaces.

**Choice of Finishes:** Wide range of durable finishes.

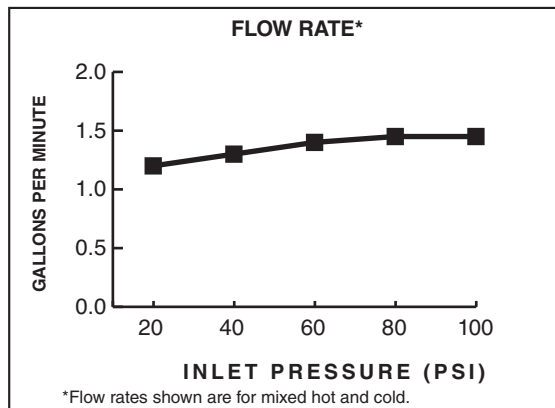
**SUGGESTED SPECIFICATION:**


Single control lavatory faucet shall feature a cast brass swivel spout and metal lever handle. Shall also feature washerless ceramic disc valve cartridge. Shall also feature a metal drain body with stainless steel cable actuation. Fitting shall be American Standard Model # 7420.101.\_\_\_\_.


**CODES AND STANDARDS**

These products meet or exceed the following codes and standards:

- ANSI A117.1**
- ASME A112.18.1**
- NSF 61/Section 9 and Annex G**
- CSA B 125.1**



Product Number	Description	Finish Options		
		Polished Chrome	Oil Rubbed Bronze	PVD Satin Nickel
		002	224	295
7420.101	Portsmouth single control lavatory faucet. Metal Speed Connect® Pop-up drain. 			
7420.101P	Optional Escutcheon Plate Only (For Mounting on 4" Centers)			

 Meets the American Disabilities Act Guidelines and **ANSI A117.1** Requirements for the physically challenged.