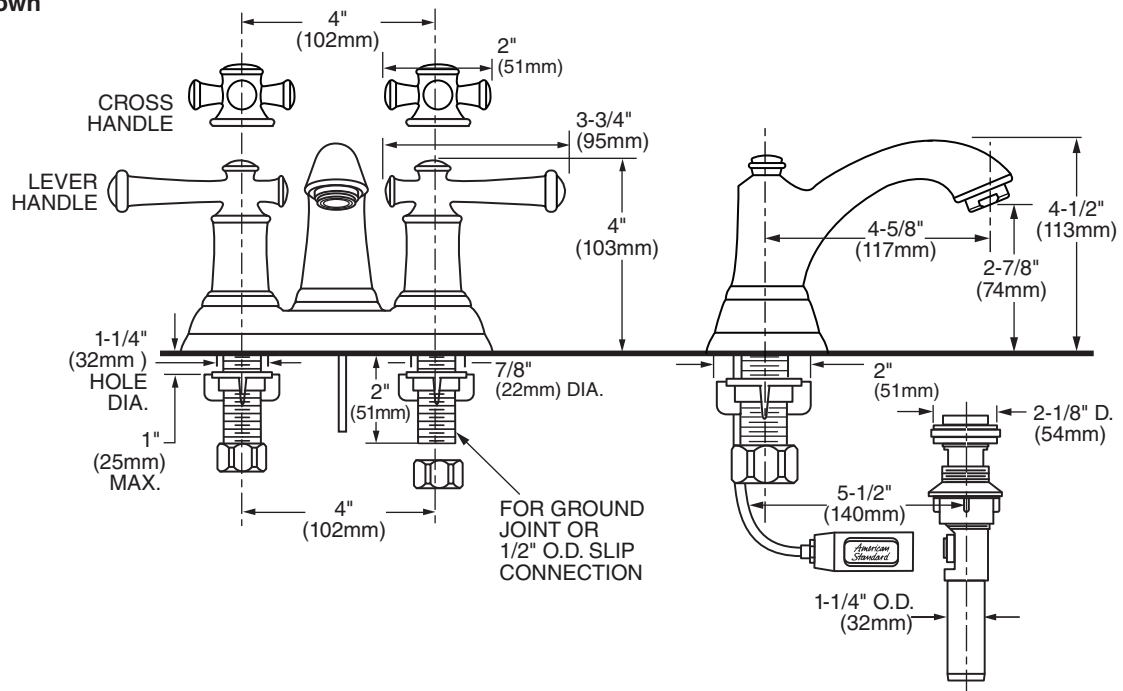




7415.201 Shown

MODEL NUMBER:

- 7415.201 Portsmouth 2 Handle Centerset**
 Metal Speed Connect® Pop-up drain.
 Metal Lever handles.
- 7415.221 Portsmouth 2 Handle Centerset**
 Metal Speed Connect® Pop-up drain.
 Metal Cross handles.



GENERAL DESCRIPTION:

Durable cast brass spout. 1/4 turn washerless ceramic disc valve cartridges. Choice of metal lever or metal cross handles. One-half inch brass male inlet shanks with brass supply nuts. 20 inch (500mm) long flexible stainless steel drain cable is pre-assembled to faucet body. Metal Speed Connect® drain body with 1-1/4 inch (32mm) tail piece. 1.5 gpm/5.7L/min. maximum flow rate.

PRODUCT FEATURES:

Brass Spout & Waterway: Durable - Easy to clean. Ideal for prolonged contact with water.

Ceramic Disc Valve Cartridges: Assures a lifetime of smooth handle operation and drip-free performance.

Lead Free: Faucet contains ≤0.25% total lead content by weighted average.

Exclusive Speed Connect Metal Drain:

- Fewer Parts - installs in less time.
- No adjustments required - seals the first time, every time.
- Flexible stainless steel cable - installs effortlessly in tight spaces.

Choice of Finishes: Wide range of durable finishes.

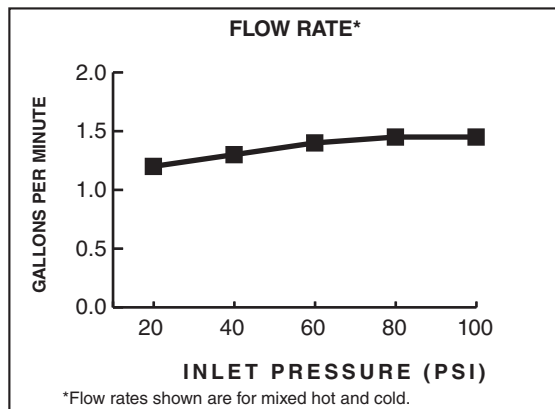
SUGGESTED SPECIFICATION:




4" centerset lavatory faucet shall feature cast brass spout. Shall also feature 1/4 turn washerless ceramic disc valve cartridges. Shall also feature a metal drain body with stainless steel cable actuation. Fitting shall be American Standard Model # 7415.____.


CODES AND STANDARDS

These products meet or exceed the following codes and standards:

- ASME A112.18.1
- CSA B 125.1
- NSF 61/Section 9 and Annex G



	Product Number	Description	Finish Options		
			Polished Chrome	Oil Rubbed Bronze	PVD Satin Nickel
			002	224	295
	7415.201	Portsmouth 2 Handle Centerset with Metal Speed Connect® Pop-up drain. Metal Lever handles. 			
	7415.221	Portsmouth 2 Handle Centerset with Metal Speed Connect Pop-up drain. Metal Cross handles.			

 Meets the American Disabilities Act Guidelines and **ANSI A117.1** Requirements for the physically challenged.