

LUXEAIR 22 – LUXEAIR SERIES

inches (mm)

66 ¼ x 36 x 23 (1680 x 915 x 585) • Fax on Demand #1206

MODEL #AI22LUX6636



FEATURES

- 7 hydrotherapy jets: pressure-flo (4), StressEaz neck and shoulder therapy (2), recessed rotary (1)
- 1.75hp pump
- Electronic controls
- Inline maintenance heater
- Air bath system:
 - Variable speed blower
 - Air heating system
 - Automatic purge and dry cycle with water sensors
- Deep bathing well
- Acrylic grab bars
- Slip-resistant floor
- Pre-leveled ABS support base
- Quiet pad anti-vibration pump mount
- Universal drain
- Lucite cast acrylic surface
- Limited lifetime warranty

AQUATIC ADVANTAGE

- National distribution
- 5 manufacturing facilities
- Private fleet
- Centralized customer service
- Field support
- 24-hour fax-on-demand

COLOR & TRIM OPTIONS

| Stock | Premium |
|------------------------|------------------|
| Almond (C, M) | Black (C, M) |
| Bone (C, M) | Cashmere (M) |
| Linen/Biscuit (C, M) | Mexican Sand (M) |
| Sterling Silver (C, M) | Red (M) |
| White (C, M) | Sandbar (M) |

C = Color Matched Trim

M = Metallic Trim (Brushed Nickel, Chrome, Polished Brass)

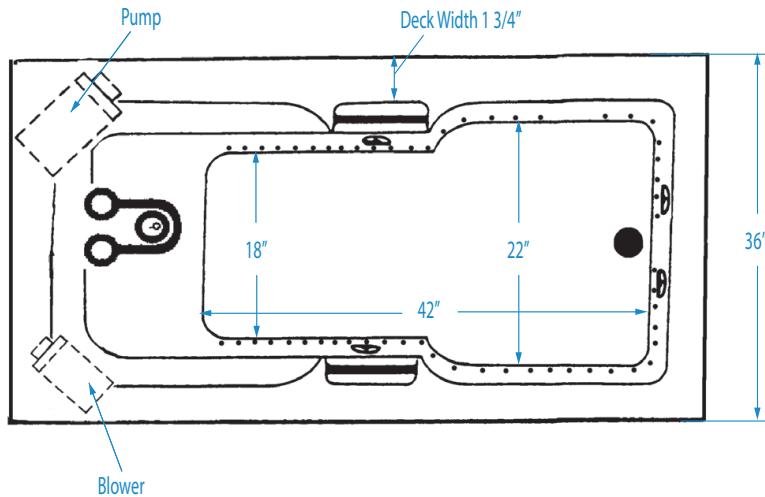
OPTIONS

- Chromotherapy LED lighting
- Comfort pillow: Biscuit, Black, White
- Grab bar(s): Chrome, Oil Rubbed Bronze, Polished Brass, Brushed Nickel, Color matched (Biscuit, White, Clear)
- Cable drive waste & overflow: Chrome, Oil Rubbed Bronze, Polished Brass, Brushed Nickel, Color Matched (Biscuit, Bone, White)
- Factory installed rigid ABS tile flange
- Acrylic skirt: Color Matched

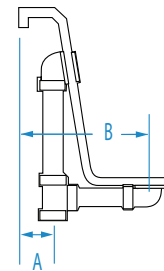
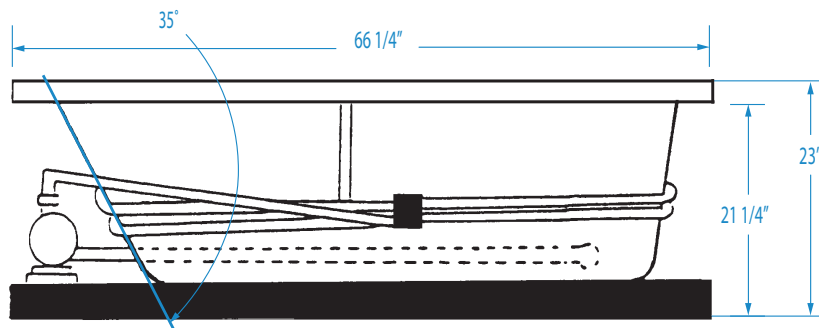


LUXEAIR 22

66 1/4 x 36 x 23 (1680 x 915 x 585)
inches (mm)



No alternate pump/blower locations available.



FEATURES lbs (kg) Dimensional Tolerance ± 3/8". Dimensions needed for site preparation should be measured from the unit. Aquatic assumes no responsibility for preparatory work.

| Type and Model # | Material | Jets | Pump | Air System | Blower | Heater | Controls | Drain | Pkg. Wt. |
|----------------------------|----------|------|---------|------------|----------------|---------------|------------|-----------|-----------|
| Air-Whirlpool #AI22LUX6636 | Acrylic | 7 | 1.75 HP | Channel | Variable speed | 1.5 kw Inline | Electronic | Universal | 248 (110) |

DIMENSIONS inches (mm)

| Width Overall / Net | Depth Overall / Net | Height Overall / Net | Skirt Height |
|------------------------|------------------------|-------------------------|-----------------|
| 66 1/4 (1680) | 36 (915) | 23 (585) | - |

SUMP DATA inches (mm)

| Capacity to Overflow gal (ltr) | Min. Operating Capacity gal (ltr) | WIDTH @ centerline | | DEPTH @ centerline | |
|--------------------------------------|---|--------------------|---------------|--------------------|--------------|
| | | Top | Bottom | Top | Bottom |
| 85 (320) | 66 (250) | 59 3/4 (1520) | 43 3/4 (1110) | 23 (585) | 20 1/2 (520) |

PLUMBING DIMENSIONS inches (mm)

| A | B |
|------------|----------|
| 2 1/4 (60) | 12 (305) |

ELECTRICAL DATA

| Component | Specification | Requirement |
|---------------|-------------------------|---|
| Pump | 1.75 HP; 12 AMP; 110 V | 15 AMP 2 pole, separate circuit, Class A GFCI |
| Inline Heater | 1.5 kW; 12.5 AMP; 110 V | |
| Blower | 1 HP; 10.5 AMP; 110 V | 15 AMP 1 pole, separate circuit, Class A GFCI |

NOTES:

1) Where applicable, utilize cut-out templates packed with unit for deck cutouts.

2) 16 x 20 (405 x 510) minimum access required at pump/blower location(s).

NOTE:

1) This whirlpool must be hard wired to the breaker box. Three outlets will be supplied on the whirlpool.