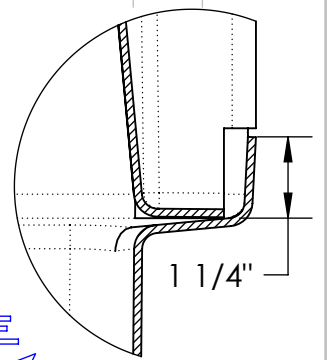


**-RIGHT SEAT SHOWER P/N 148344PSCR  
-LEFT SEAT SHOWER P/N 148344PSCL**

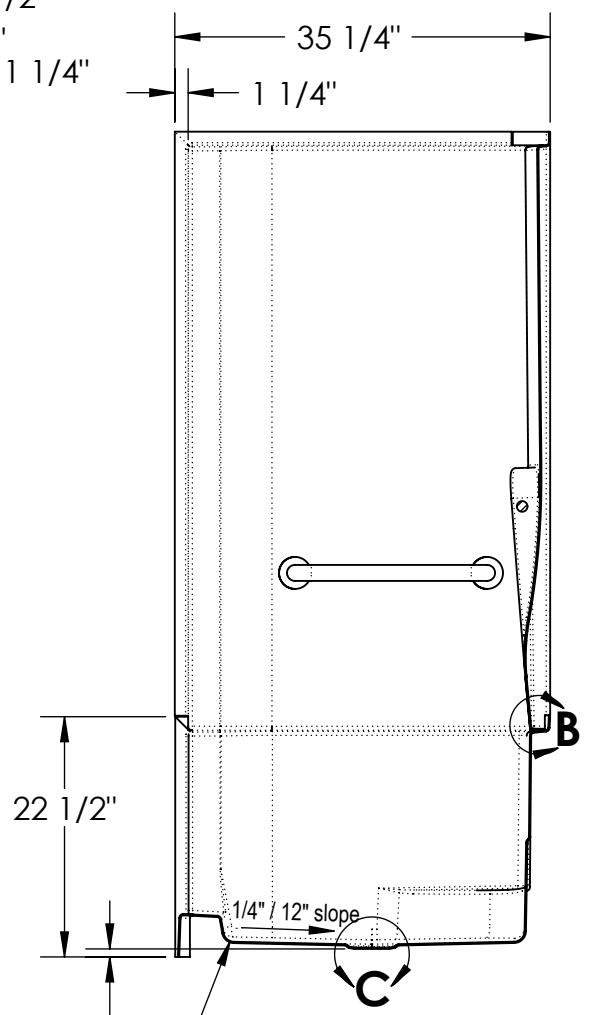
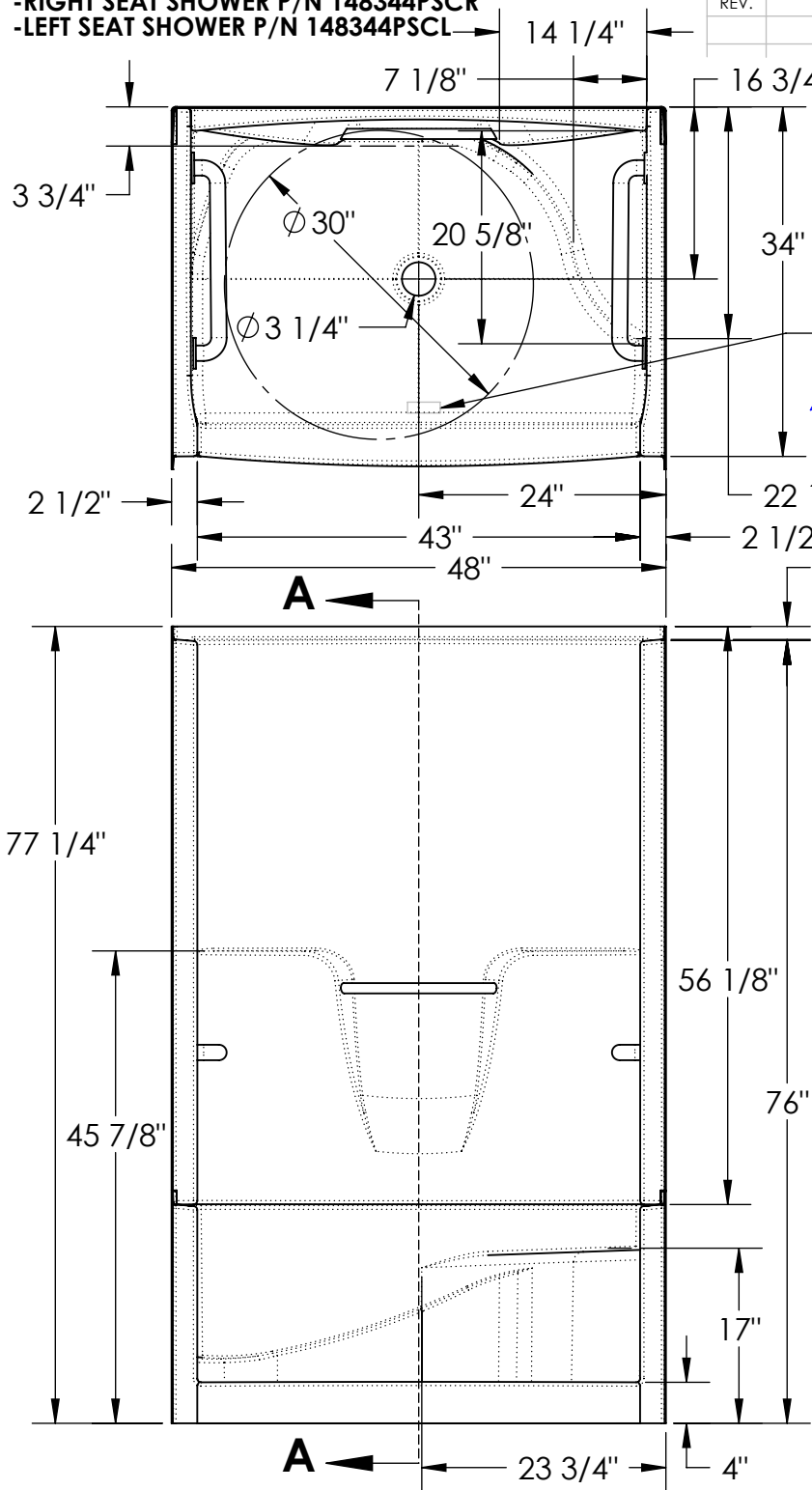
| REVISIONS |             |      |          |
|-----------|-------------|------|----------|
| REV.      | DESCRIPTION | DATE | APPROVED |
|           |             |      |          |

Surface Area per part:  
 Base - 27.5 sq. ft.  
 Leftwall - 16.5 sq. ft.  
 Rightwall - 16.5 sq. ft.  
 Backwall - 24.3 sq. ft.  
**TOTAL 84.8 sq. ft.**

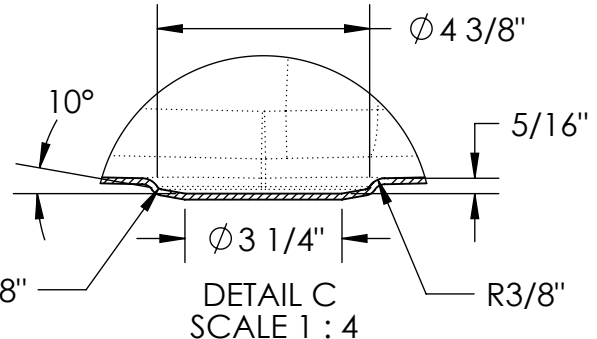
**LASCO  
BATHWARE**



**DETAIL B  
SCALE 1 : 3**



**SECTION A-A  
SCALE 1 : 18**



**DETAIL C  
SCALE 1 : 4**

| NAME          | DATE       |
|---------------|------------|
| DRAWN P.PRIOR | 11/29/2007 |
| CHECKED       |            |
| ENG APPR.     |            |
| MFG APPR.     |            |
| Q.A.          |            |
| CATEGORY:     |            |

**LASCO BATHWARE** 8101 E. Kaiser BLVD. Anaheim, CA 92808

TITLE  
**SHOWER 48" x 34"**  
 Right Seat - 148344PSCR  
 Left Seat - 148344PSCL

|          |            |      |
|----------|------------|------|
| SIZE     | DWG. NO.   | REV. |
| <b>A</b> | 148344PSCR | --   |

SCALE 1:2 SHEET 1 OF 2