

# SERENITY STUDIO 23 – SERENITY STUDIO SERIES

inches (mm)

71 ¼ x 41 ½ x 25 ½ (1810 x 1055 x 650) • Fax on Demand #1268

SOAKER MODEL #AI23AIR7242FTO

AIR BATH MODEL #AI23AIR7242F



## FEATURES

- Deep bathing well
- Slip-resistant floor
- Modern styling
- Interior bathing well and exterior can be different colors
- Pre-leveled ABS support base
- Universal drain
- Lucite cast acrylic surface
- Limited lifetime warranty

## AIR BATH FEATURES

- Variable speed blower with 20-minute timer
- Air heating system
- Electronic controls with wave and pulse features
- Remote blower kit
- Air channels lined with antimicrobial coating

## AQUATIC ADVANTAGE

- National distribution
- 5 manufacturing facilities
- Private fleet
- Centralized customer service
- Field support
- 24-hour fax-on-demand

## COLOR & TRIM OPTIONS

Stock	Premium
Almond	Black
Bone	Cashmere
Linen/Biscuit	Mexican Sand
Sterling Silver	Red
White	Sandbar

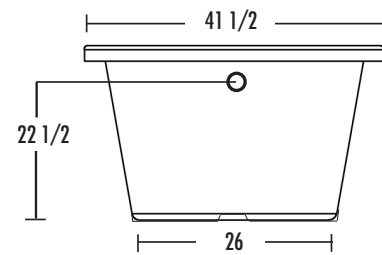
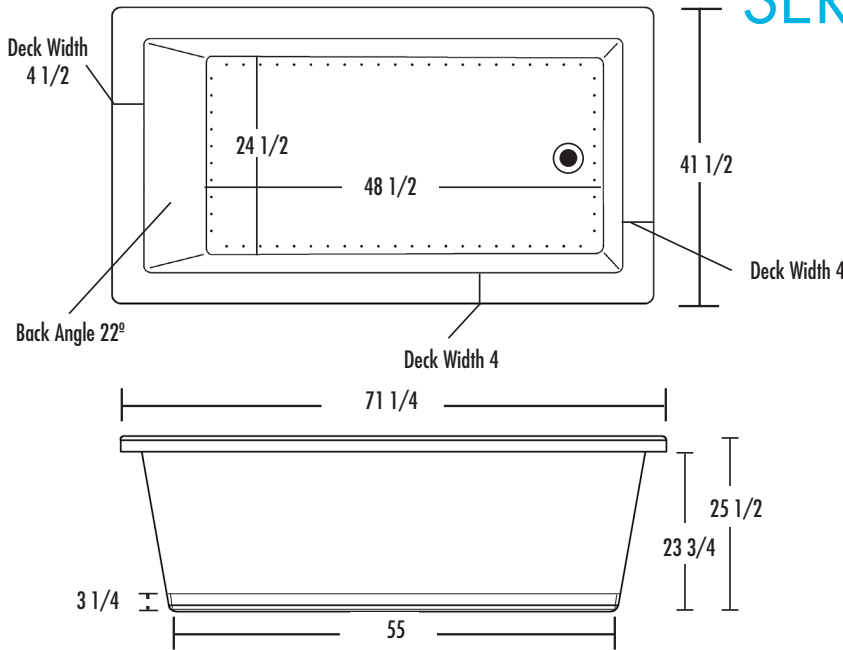
## OPTIONS

- Comfort pillow: Biscuit, Black, White
- Freestanding waste & overflow: Chrome, Oil Rubbed Bronze, Polished Brass, Brushed Nickel, White



# SERENITY STUDIO 23

71 1/4 x 41 1/2 x 25 1/2 (1810 x 1055 x 650)  
inches (mm)



Note: Low profile pedestal prohibits use of decorative drain pipe flange.

FEATURES lbs (kg) Dimensional Tolerance ± 3/8". Dimensions needed for site preparation should be measured from the unit. Aquatic assumes no responsibility for preparatory work.

Type and Model #	Material	Air System	Blower	Pump	Heater	Controls	Drain	Pkg. Wt.
Soaker #AI23AIR7242FTO	Acrylic	-	-	-	-	-	Universal	273 (124)
Air Bath #AI23AIR7242F	Acrylic	Channel	Variable speed	-	Inline	Electronic	Universal	303 (138)

## DIMENSIONS inches (mm)

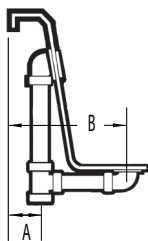
Width Overall / Net	Depth Overall / Net	Height Overall / Net	Skirt Height
71 1/4 (1810)	41 1/2 (1055)	25 1/2 (650)	-

## SUMP DATA inches (mm)

Capacity to Overflow gal (ltr)	Min. Operating Capacity gal (ltr)
113 (428)	-

## PLUMBING DIMENSIONS inches (mm)

A	B
3 1/2 (90)	12 1/2 (320)



## ELECTRICAL DATA

Component	Specification	Requirement
Blower/Heater (Air Bath)	10.5 AMP; 120 V	15 AMP; 120V, separate circuit; Class A GFCI
Pump (Hot Soak)	1/15 HP; 1.3 AMP; 110 V	20 AMP; 110 V, separate circuit; Class A GFCI
Heater (Hot Soak)	1.5 kW; 12.5 AMP; 110 V	

## NOTES:

- Where applicable, utilize cut-out templates packed with unit for deck cutouts.
- 16 x 20 (405 x 510) minimum access required at pump/blower location(s).

Each Serenity air bath is equipped with an air heating system to raise the temperature of the air entering the bath. This air temperature will be lower than the bathing temperature of the water, but will help reduce rapid decrease in water temperature. In addition, the air coming from the air jets will feel cool against the skin. This system does not heat the water.