

# 2600CCSWP – EVERYDAY BATHS

inches (mm)

60 x 60 x 24 ½ (1525 x 1525 x 620) • Fax on Demand #5078

SOAKER MODEL #2600CCS

WHIRLPOOL MODEL #2600CCSWP



## FEATURES

- Corner bath
- Integral arm rests
- Ergonomic backrest
- Integral tiling flange (2T)
- Integral skirt
- Slip-resistant textured bottom
- Center drain
- Gelcoat surface
- 5-year limited warranty

### Whirlpool Features:

- .75hp motor
- 4 adjusta-flow whirlpool jets
- Color matched or clear trim
- Pneumatic on/off control
- Advanced safety suction system

## OPTIONS

- Removable access panel (whirlpool models)
- In-line heater (whirlpool models)
- Mood light (whirlpool models)
- Designer drain, waste & overflow

## AQUATIC ADVANTAGE

- National distribution
- 5 manufacturing facilities
- Private fleet
- Centralized customer service
- Field support
- 24-hour fax-on-demand

## COLOR & TRIM OPTIONS

Stock	Premium
Almond (C)	Black (C)
Biscuit (C)	Mexican Sand* (NA)
Bone (C)	Sand Bar* (NA)
Linen (C)	
Sterling Silver (C)	
White (C)	

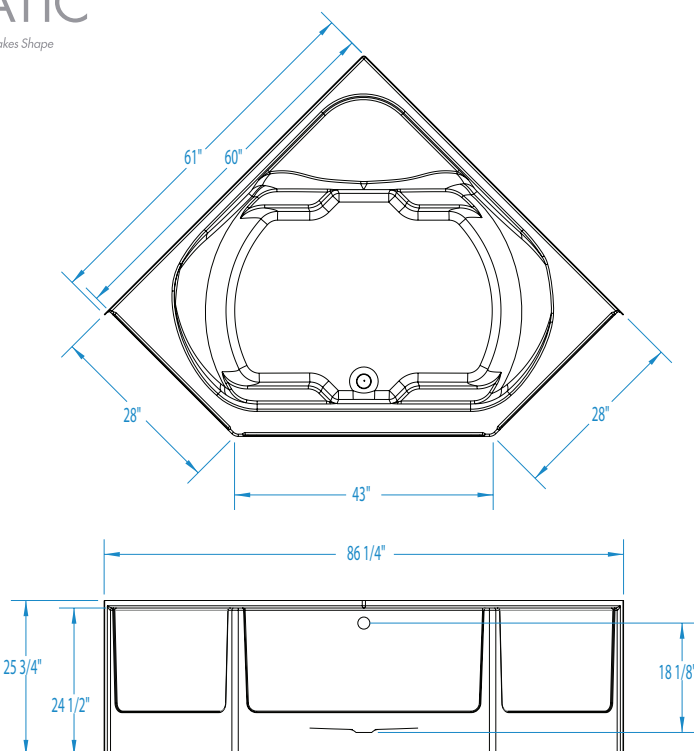
C = color matched trim

NA = not applicable

\* color not available for whirlpool models



# 2600CCSWP

 60 x 60 x 24 1/2 (1525 x 1525 x 620)  
 inches (mm)

**FEATURES** lbs (kg)      Dimensional Tolerance  $\pm \frac{3}{16}$ ". Dimensions needed for site preparation should be measured from the unit. Aquatic assumes no responsibility for preparatory work.

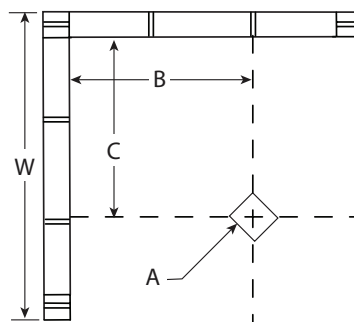
Model #	Material	Jets	Motor	Controls	Drain	Net Wt.	Pkg. Wt.
Soaker #2600CCS	Gelcoat	0	-	-	Center Front	114 (52)	119 (54)
Whirlpool #2600CCSWP	Gelcoat	4	0.75 HP	Pneumatic	Center Front	165 (75)	170 (77)

**DIMENSIONS**

Specifications	inches (mm)
Width: Overall / Net	61 1/2 (1560) / 60 (1525)
Depth: Overall / Net	28 (710)
Height: Overall / Net	25 3/4 (655) / 24 1/2 (620)
Enclosure Opening	-
Skirt Height	24 1/2 (620)
Drain Rough-In (from Back Wall)	42 5/16 (1075)
Drain Rough-In (from Side Wall)	42 5/16 (1075)
Drain: Diameter / Clearance	2 (50) / 3 1/2 (90)

**FRAMING DIMENSIONS** inches (mm)

Type	D Depth	W Width	H Height	A	B	C
Alcove	58 1/2 (1485)	58 1/2 (1485)	24 (610)	Box Out	42 5/16 (1075)	42 5/16 (1075)


**SUMP DATA**

Top of Drain to Bottom of Overflow	Capacity to Overflow gal (ltr)	Min. Operating Capacity gal (ltr)	WIDTH @ centerline		DEPTH @ centerline	
			Top	Bottom	Top	Bottom
15 3/4 (400)	90 (341)	50 (189)	63 (1600)	44 3/4 (1135)	37 (940)	33 (840)