

# INFINITY 8 – INFINITY SERIES

inches (mm)

66 x 66 x 29 (1675 x 1675 x 735) • Fax on Demand #1322

MODEL #A18INF6667 (Whirlpool)

MODEL #A18INF6667A (Air-whirlpool)



## FEATURES

- 17 hydrotherapy jets: shiatsu & rotary (12), pressure-flo (2), massage elite (2), recessed massage (1)
- Pulsating neck jet pillow: Biscuit, Black, White
- 2hp pump
- Digital electronic control
- Shiatsu electronic control with pre-programmed jet sequencer
- Inline maintenance heater
- Fast fill waterfall spout
- Deep bathing well
- Sculpted armrests
- Slip-resistant floor
- Adjusta-level base
- Quiet pad anti-vibration pump mount
- Center front drain
- Lucite cast acrylic surface
- Limited lifetime warranty

## AQUATIC ADVANTAGE

- National distribution
- 5 manufacturing facilities
- Private fleet
- Centralized customer service
- Field support
- 24-hour fax-on-demand

## COLOR & TRIM OPTIONS

Stock	Premium
Almond (C, M)	Black (C, M)
Bone (C, M)	Cashmere (M)
Linen/Biscuit (C, M)	Mexican Sand (M)
Sterling Silver (C, M)	Red (M)
White (C, M)	Sandbar (M)

C = Color Matched Trim

M = Metallic Trim (Brushed Nickel, Chrome, Polished Brass)

## OPTIONS

- Air Bath System
  - Variable speed blower
  - Air heating system
  - Automatic purge and dry cycle with water sensors
  - Water-level activated dry cycle
- Comfort pillow: Biscuit, Black, White
- Cable drive waste & overflow: Chrome, Oil Rubbed Bronze, Polished Brass, Brushed Nickel, Color Matched (Biscuit, Bone, White)

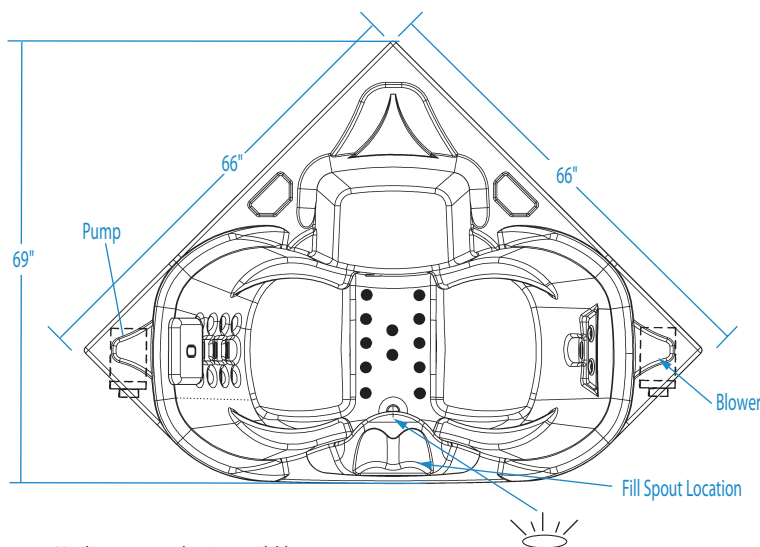


# INFINITY 8

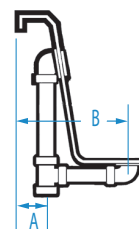
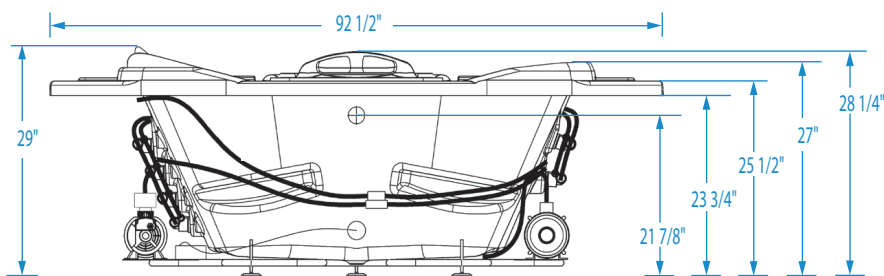
66 x 66 x 29 (1675 x 1675 x 735)  
inches (mm)



This unit has a 3/4" female waterfall fill spout connection.



No alternate pump location available.  
\*Shown with optional air system.



**FEATURES** lbs (kg) Dimensional Tolerance ± 3/8". Dimensions needed for site preparation should be measured from the unit. Aquatic assumes no responsibility for preparatory work.

Type and Model #	Material	Jets	Pump	Air System	Blower	Heater	Controls	Drain	Pkg. Wt.
Whirlpool #A18INF6667	Acrylic	17	2 HP	—	—	1.5 kw Inline	Electronic	Center Front	549 (250)
Air-whirlpool #A18INF6667A	Acrylic	17	2 HP	Injector	Variable speed	1.5 kw Inline	Electronic	Center Front	569 (260)

## DIMENSIONS inches (mm)

Width Overall / Net	Depth Overall / Net	Height Overall / Net	Skirt Height
66 (1675)	34 1/2 (875)	31 1/2 (800)	—

## SUMP DATA inches (mm)

Capacity to Overflow gal (ltr)	Min. Operating Capacity gal (ltr)	WIDTH @ centerline		DEPTH @ centerline	
		Top	Bottom	Top	Bottom
95 (360)	76 (285)	65 1/2 (1665)	44 (1120)	32 (810)	24 (610)

## PLUMBING DIMENSIONS inches (mm)

A	B
7 (180)	14 1/2 (370)

## ELECTRICAL DATA

Component	Specification	Requirement
Pump	2 HP; 12 AMP; 110 V	15 AMP 2 pole, separate circuit, Class A GFCI
Inline Heater	1.5 kW; 12.5 AMP; 110 V	
Blower	1 HP; 10.5 AMP; 110 V	15 AMP 1 pole, separate circuit, Class A GFCI

### NOTES:

- Where applicable, utilize cut-out templates packed with unit for deck cutouts.
- 16 x 20 (405 x 510) minimum access required at pump/blower location(s).