

71 3/4 x 39 3/4 x 23 3/4 (1820 x 1010 x 605) • Fax on Demand #1191

- SOAKER MODEL #A112AIR7240TO
- AIR BATH MODEL #A112AIR7240
- HOTSOAK MODEL #A112AIR7240HS
- DRIFTBATH MODEL #A112AIR7240DB



FEATURES

- Deep bathing well
- Slip-resistant floor
- Modern styling
- Pre-leveled ABS support base
- Center Front drain
- Lucite cast acrylic surface
- Limited lifetime warranty

OPTIONS

- Studio Lights Package: 4 high-intensity LEDs, contemporary keypad (air baths)
- Comfort pillow: Biscuit, Black, White
- Cable drive waste & overflow: Chrome, Oil Rubbed Bronze, Polished Brass, Brushed Nickel, Color Matched (Biscuit, Bone, White)
- Optional blower/pump location
- Remote control kit
- Remote blower wiring kit
- 1" Low Profile Deck (Skirt option not available with Low Profile Deck)

COLOR & TRIM OPTIONS

Stock	Premium
Almond	Black
Bone	Cashmere
Linen/Biscuit	Mexican Sand
Sterling Silver	Red
White	Sandbar

DriftBath available in White and Biscuit only.

AQUATIC ADVANTAGE

- National distribution
- 5 manufacturing facilities
- Private fleet
- Centralized customer service
- Field support
- 24-hour fax-on-demand

AVAILABLE SYSTEMS

AIR BATH

- Variable speed blower with 20-minute timer
- Air heating system
- Electronic controls with wave and pulse features
- Air channels lined with antimicrobial coating
- Automatic purge and dry cycle with water sensors
- LED chromotherapy lights (4)

HOTSOAK

- 1.5kW inline maintenance heater
- Quiet, run-dry safe pump
- Low-profile circulation portals
- One-touch electronic on/off control
- Quiet pad anti-vibration pump mount

DRIFTBATH

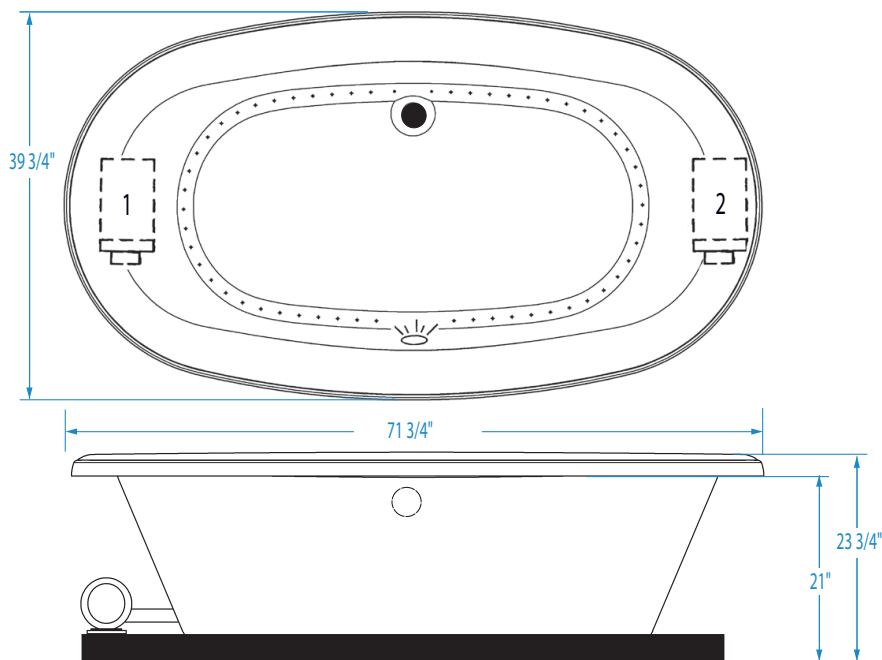
- Quiet, self-heating integrated pump/motor unit
- Dozens of low-profile, water-only portals
- Electronic control with 20-minute timer
- High-intensity LED chromotherapy lights (4)
- Advanced Safety Suction System



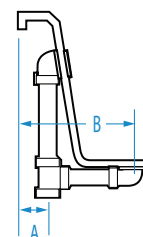
AQUATIC
Where Inspiration Takes Shape

SERENITY STUDIO 12

71 3/4 x 39 3/4 x 23 3/4 (1820 x 1010 x 605)
inches (mm)



Note: Serenity tub only models feature a Pre-leveled ABS Support Base.



FEATURES lbs (kg) Dimensional Tolerance ± 3/8". Dimensions needed for site preparation should be measured from the unit. Aquatic assumes no responsibility for preparatory work.

Type and Model #	Material	System	Powered By	Heater	Controls	Drain	Pkg. Wt.
Soaker #A112AIR7240TO	Acrylic	-	-	-	-	Center Front	165 (75)
HotSoak #A112AIR7240HS	Acrylic	Water circulation	Pump	1.5 kW Inline maintenance	Electronic on/off	Center Front	195 (88)
Air Bath #A112AIR7240	Acrylic	Air Bath	Variable speed blower	Integrated	Electronic variable	Center Front	195 (88)
DriftBath #A112AIR7240DB	Acrylic	Water circulation	Pump	Integrated	Electronic on/off	Center Front	206 (93)

DIMENSIONS inches (mm)

Width Overall / Net	Depth Overall / Net	Height Overall / Net	Skirt Height
71 3/4 (1820)	39 3/4 (1010)	23 3/4 (605)	-

SUMP DATA inches (mm)

Capacity to Overflow gal (ltr)	Min. Operating Capacity gal (ltr)
76 (288)	-

PLUMBING DIMENSIONS inches (mm)

A	B	Drain Diameter / Clearance
4 3/4 (120)	12 1/8 (310)	

ELECTRICAL DATA

Component	Specification	Requirement
Blower/Heater (Air Bath)	10.5 AMP; 120 V	15 AMP; 120V, separate circuit; Class A GFCI
Pump (HotSoak)	1/15 HP; 1.3 AMP; 110 V	20 AMP; 110 V, separate circuit; Class A GFCI
Heater (HotSoak)	1.5 kW; 12.5 AMP; 110 V	
Pump (DriftBath)	3/4 HP; 8.8 AMP; 110 V	15 AMP; 120V, separate circuit; Class A GFCI

NOTES:

- Where applicable, utilize cut-out templates packed with unit for deck cutouts.
- 16 x 20 (405 x 510) minimum access required at pump/blower location(s).
- For Low Profile Deck, framing height will need to be increased by an additional 1".

Each Serenity air bath is equipped with an air heating system to raise the temperature of the air entering the bath. This air temperature will be lower than the bathing temperature of the water, but will help reduce rapid decrease in water temperature. In addition, the air coming from the air jets will feel cool against the skin. This system does not heat the water.