

# INFINITY 9 – INFINITY SERIES

inches (mm)

66 x 34 ½ x 31 ½ (1675 x 875 x 800) • Fax on Demand #1319

MODEL #AI9INF6636



Fill Spout Location

Not a drop-in model. Deck must be built around unit.

## AQUATIC ADVANTAGE

- National distribution
- 5 manufacturing facilities
- Private fleet
- Centralized customer service
- Field support
- 24-hour fax-on-demand

## COLOR & TRIM OPTIONS

| Stock                  | Premium          |
|------------------------|------------------|
| Almond (C, M)          | Black (C, M)     |
| Bone (C, M)            | Cashmere (M)     |
| Linen/Biscuit (C, M)   | Mexican Sand (M) |
| Sterling Silver (C, M) | Red (M)          |
| White (C, M)           | Sandbar (M)      |

C = Color Matched Trim

M = Metallic Trim (Brushed Nickel, Chrome, Polished Brass)

## FEATURES

- 16 hydrotherapy jets: shiatsu & rotary (12), foot massage (2), pressure-flo (2)
- Pulsating neck jet pillow: Biscuit, Black, White
- 2hp pump
- Digital electronic control
- Shiatsu electronic control with pre-programmed jet sequencer
- Inline maintenance heater
- Fast fill waterfall spout
- Deep bathing well
- Sculpted armrests
- Slip-resistant floor
- Adjusta-level base
- Quiet pad anti-vibration pump mount
- Center front drain
- Lucite cast acrylic surface
- Limited lifetime warranty

## OPTIONS

- Air Bath System
  - Variable speed blower
  - Air heating system
  - Automatic purge and dry cycle with water sensors
  - Water-level activated dry cycle
- Bolt-on grab bars: Biscuit, Chrome, White, Oil Rubbed Bronze, Polished Brass, Brushed Nickel
- Comfort pillow: Biscuit, Black, White
- Cable drive waste & overflow: Chrome, Oil Rubbed Bronze, Polished Brass, Brushed Nickel, Color Matched (Biscuit, Bone, White)
- Available Without Fast-fill Waterfall Spout

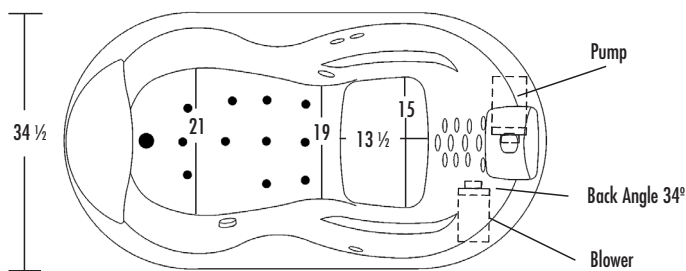


# INFINITY 9

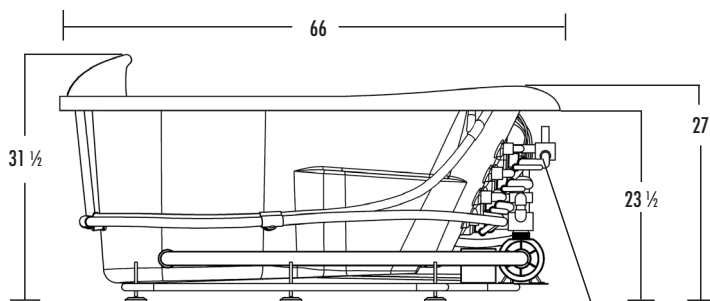
66 x 34 1/2 x 31 1/2 (1675 x 875 x 800)  
inches (mm)



Not a drop-in model. Deck must be built around unit.  
This unit has a 3/4" female waterfall fill spout connection.

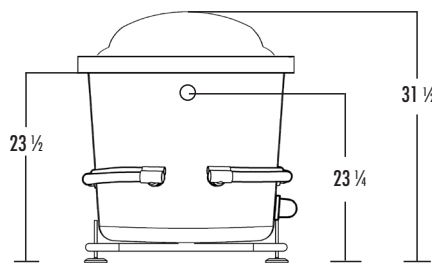


No alternate pump location available.  
\*Shown with optional air system.



Note: Infinity 9 is not a drop in model.  
A deck must be built around the tub.

NOTE: Please allow for plumbing to  
extend approx. 3 beyond tub rim.



**FEATURES** lbs (kg) Dimensional Tolerance ± 3/8". Dimensions needed for site preparation should be measured from the unit. Aquatic assumes no responsibility for preparatory work.

| Type and Model #      | Material | Jets | Pump | Air System          | Blower                    | Heater        | Controls   | Drain     | Pkg. Wt.  |
|-----------------------|----------|------|------|---------------------|---------------------------|---------------|------------|-----------|-----------|
| Whirlpool #A19INF6636 | Acrylic  | 16   | 2 HP | Injector (optional) | Variable speed (optional) | 1.5 kw Inline | Electronic | Universal | 289 (131) |

## DIMENSIONS inches (mm)

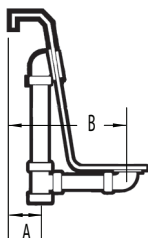
| Width<br>Overall / Net | Depth<br>Overall / Net | Height<br>Overall / Net | Skirt<br>Height |
|------------------------|------------------------|-------------------------|-----------------|
| 66 (1675)              | 35 (890)               | 27 (685)                | -               |

## SUMP DATA inches (mm)

| Capacity to<br>Overflow<br>gal (ltr) | Min. Operating<br>Capacity<br>gal (ltr) | WIDTH @ centerline |               | DEPTH @ centerline |              |
|--------------------------------------|---|--------------------|---------------|--------------------|--------------|
|                                      |   | Top                | Bottom        | Top                | Bottom       |
| 89 (335)                             | 65 (245)                                | 57 1/2 (1460)      | 42 1/2 (1080) | 26 (660)           | 23 3/4 (605) |

## PLUMBING DIMENSIONS inches (mm)

| A          | B           |
|------------|-------------|
| 2 1/2 (65) | 8 3/4 (220) |



## ELECTRICAL DATA

| Component     | Specification           | Requirement                                   |
|---------------|-------------------------|---|
| Pump          | 2 HP; 12 AMP; 110 V     | 15 AMP 2 pole, separate circuit, Class A GFCI |
| Inline Heater | 1.5 kW; 12.5 AMP; 110 V |   |
| Blower        | 1 HP; 10.5 AMP; 110 V   | 15 AMP 1 pole, separate circuit, Class A GFCI |

### NOTES:

1) Where applicable, utilize cut-out templates packed with unit for deck cutouts.

2) 16 x 20 (405 x 510) minimum access required at pump/blower location(s).