

F6032APAN – ACCESSIBLE SHOWER BASE

inches (mm)

Interior: 60 x 30 x 5 1/8 (1525 x 760 x 130)

Exterior: 62 x 32 x 5 1/8 (1575 x 815 x 130)

Fax on Demand #1349

This shower base features innovative installation design, including an engineered leveled base and improved front threshold. A true time and money saver, our pre-leveled base lets you install directly on a **level** floor. And its front threshold is engineered to keep a constant level without the use of brackets during installation.



FEATURES

- Pre-leveled base
- Acrylic surface
- 3/4 (20) skirt
- 1/2 (15) interior threshold
- Barrier free when properly installed
- Integral nailing flange
- Center drain
- 5-year limited warranty

CODE COMPLIANCE

- ADA
- ICC/ANSI A117.1
- ANSI Z124.1.2
- CAN/CSA-B651-04
- HUD UM73a
- CSA B45-02

**Code compliant when fully equipped and installed according to guidelines.

AQUATIC ADVANTAGE

- National distribution
- 5 manufacturing facilities
- Private fleet
- Centralized customer service
- Field support
- 24-hour fax-on-demand

COLOR & TRIM OPTIONS

Stock	Premium
Almond	Black
Bone	Mexican Sand
Linen/Biscuit	Sandbar
Sterling Silver	
White	

**Additional custom colors available.
(Contact Customer Service)



Aquatic products may be specified as Lasco Bathware.

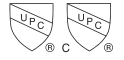


F6032APAN

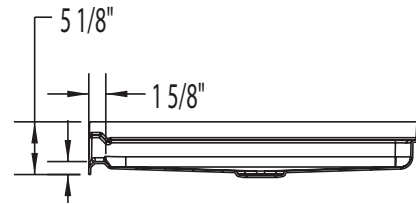
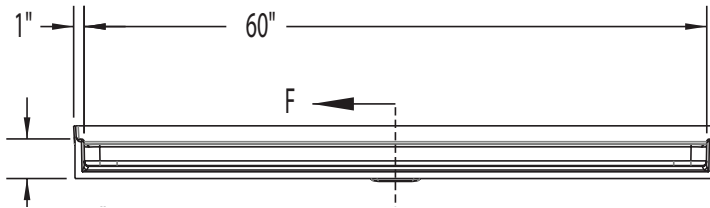
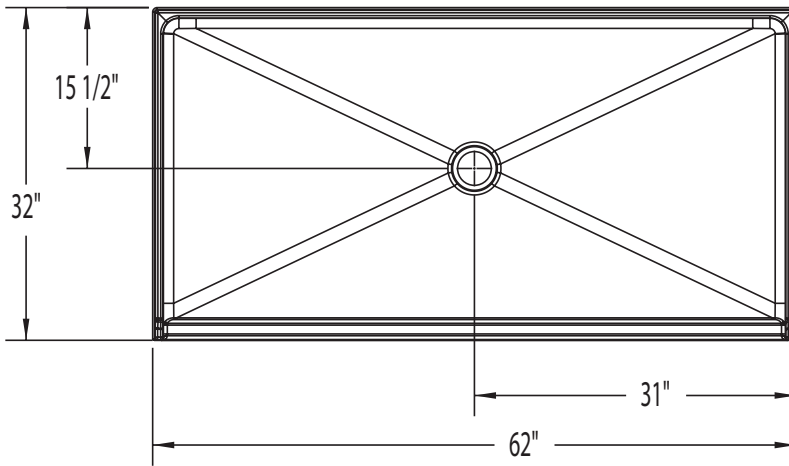
Interior: 60 x 30 x 5 1/8 (1525 x 760 x 130)

Exterior: 62 x 32 x 5 1/8 (1575 x 815 x 130)

inches (mm)



ADA/ANSI compliant when fully equipped and installed according to guidelines.



FEATURES lbs (kg) Dimensional Tolerance $\pm \frac{3}{8}$ ". Dimensions needed for site preparation should be measured from the unit. Aquatic assumes no responsibility for preparatory work.

Type and Model #	Material	Wall Finish	Pieces	Drain	Dam/Skirt Height	Net Wt.	Pkg. Wt.
Shower pan #F6032APAN	Acrylic	Smooth	1	Center	3/4" (20mm) skirt, 1/2" (15mm) interior threshold	31 (14)	40 (18)

DIMENSIONS

Specifications	inches (mm)
Width: Overall / Net	62 (1575) / 60 (1525)
Depth: Overall / Net	32 (815) / 30 (760)
Height: Overall / Net	5 1/8 (130) / 5 1/8 (130)
Skirt Height:	60 (1525)
Rough-In (from Back Wall)	15 1/2 (395)
Rough-Center (from Side Wall)	31 (790)

FRAMING DIMENSIONS inches (mm)

Type	D Depth	W Width	H Height	A	B	C
Alcove	32 (815)	62 1/8 (1580)	-	Box Out	31 (790)	15 1/2 (395)

