

6042STWCWP – EVERYDAY TUB/SHOWERS

inches (mm)

60 x 42 x 76 (1525 x 1070 x 1930) • Fax on Demand #5084

SOAKER MODEL #6042STWC

WHIRLPOOL MODEL #6042STWCWP



FEATURES

- Tub-shower
- Smooth tile finish
- Ergonomic backrest
- Installed acrylic grab bar
- Molded toiletry shelves
- Slip-resistant textured bottom
- Left or right hand drain
- Gelcoat surface
- 5-year limited warranty

Whirlpool Features:

- .75hp motor
- 4 adjusta-flow whirlpool jets
- Color matched or clear trim
- Pneumatic on/off control
- Advanced safety suction system

OPTIONS

- In-line heater (whirlpool models)
- Removable access panel (whirlpool models)
- Mood light (whirlpool models)
- Designer drain, waste & overflow
- Shower Door Series L0516

AQUATIC ADVANTAGE

- National distribution
- 5 manufacturing facilities
- Private fleet
- Centralized customer service
- Field support
- 24-hour fax-on-demand

COLOR & TRIM OPTIONS

Stock	Premium
Almond (C)	Black (C)
Biscuit (C)	Mexican Sand* (NA)
Bone (C)	Sand Bar* (NA)
Linen (C)	
Sterling Silver (C)	
White (C)	

C = color matched trim

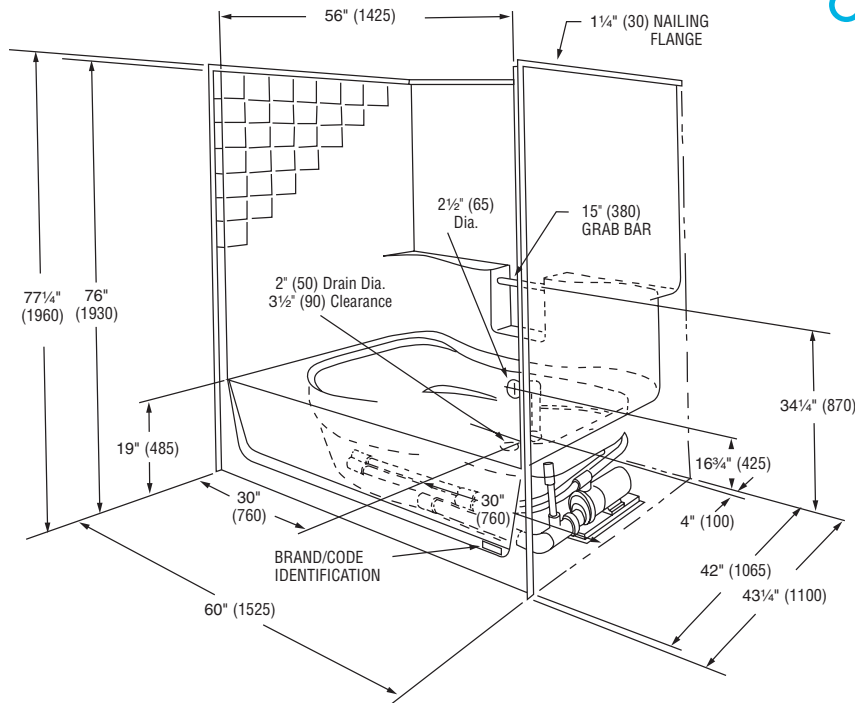
NA = not applicable

* color not available for whirlpool models



6042STWCWP

60 x 42 x 76 (1525 x 1070 x 1930)
inches (mm)



FEATURES lbs (kg) Dimensional Tolerance $\pm 3/8"$. Dimensions needed for site preparation should be measured from the unit. Aquatic assumes no responsibility for preparatory work.

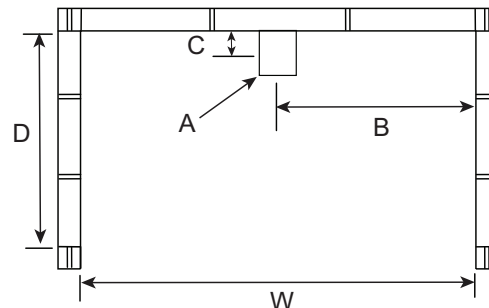
Model #	Material	Wall Finish	Jets	Motor	Controls	Drain	Net Wt.	Pkg. Wt.
Soaker #6042STWC	Gelcoat	Smooth Tile	0	-	-	Center Rear	154 (70)	159 (72)
Whirlpool #6042STWCWP	Gelcoat	Smooth Tile	4	0.75 HP	Pneumatic	Center Rear	204 (93)	209 (95)

DIMENSIONS

Specifications	inches (mm)
Width: Overall / Net	60 (1525)
Depth: Overall / Net	43 1/4 (1100) / 42 (1070)
Height: Overall / Net	77 1/4 (1960) / 76 (1930)
Enclosure Opening	56 (1420)
Skirt Height	19 (485)
Drain Rough-In (from Back Wall)	4 (100)
Drain Rough-In (from Side Wall)	30 (760)
Drain: Diameter / Clearance	2 (50) / 3 1/2 (90)

FRAMING DIMENSIONS inches (mm)

Type	D Depth	W Width	H Height	A	B	C
Alcove	43 1/4 (1100)	60 1/8 (1525)	-	Box Out	30 (760)	4 (100)



SUMP DATA

Top of Drain to Bottom of Overflow	Capacity to Overflow gal (ltr)	Min. Operating Capacity gal (ltr)	WIDTH @ centerline		DEPTH @ centerline	
			Top	Bottom	Top	Bottom
11 1/4 (285)	60 (227)	40 (151)	54 (1370)	38 (965)	33 3/16 (845)	30 1/2 (775)