

DELPHINIUS – BUILDERS' CHOICE

inches (mm)

60 x 60 x 22 (1525 x 1525 x 560) • Fax on Demand #5029

SOAKER MODEL #1260640

WHIRLPOOL MODEL #1260641



AQUATIC ADVANTAGE

- National distribution
- 5 manufacturing facilities
- Private fleet
- Centralized customer service
- Field support
- 24-hour fax-on-demand

COLOR & TRIM OPTIONS

Stock

- Almond (C)
- Bone (C)
- Biscuit (C)
- Sterling Silver (C)
- White (C)

C = Color Matched Trim

FEATURES

- 7 hydrotherapy jets
- .75 hp pump
- Advanced safety suction system
- Bath-side on/off button
- Sculpted armrests
- Slip-resistant floor
- Left Front drain
- Lucite cast acrylic surface
- Limited 10-year warranty

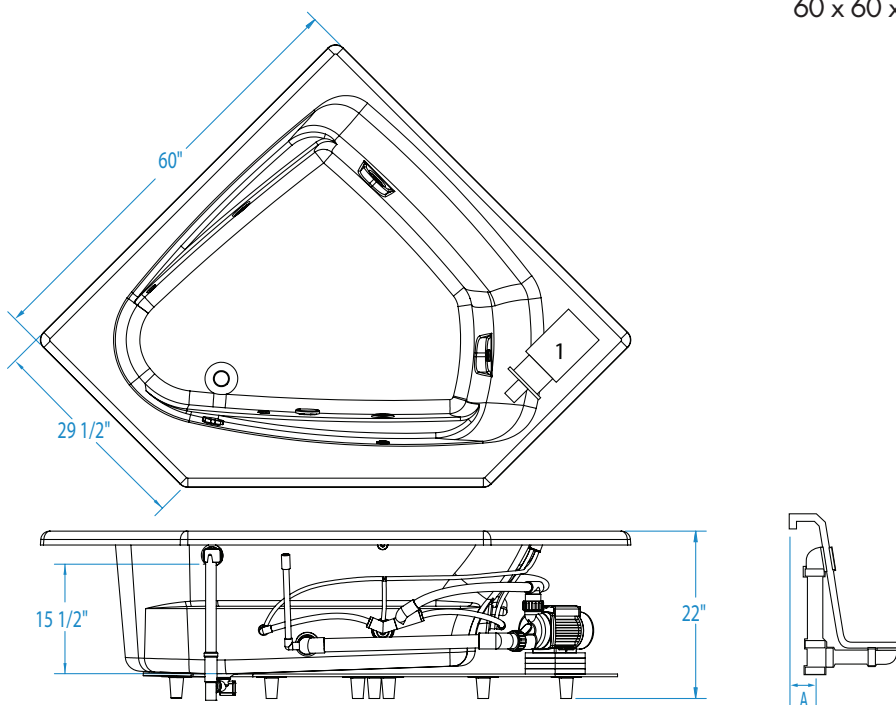
OPTIONS

- Comfort pillow:
Biscuit, Black, White
- 1.5kW inline maintenance heater
- Grab bar(s): Chrome, Oil Rubbed Bronze, Polished Brass, Brushed Nickel, Color matched (Biscuit, White, Clear)
- Cable drive waste & overflow:
Chrome, Oil Rubbed Bronze, Polished Brass, Brushed Nickel, Color Matched (Biscuit, Bone, White)
- Lift & turn waste & overflow:
Chrome, Oil Rubbed Bronze, Polished Brass, Brushed Nickel
- Tile flange
- Optional pump location



DELPHINIUS

60 x 60 x 22 (1525 x 1525 x 560)
inches (mm)



FEATURES lbs (kg) Dimensional Tolerance ± 3/8". Dimensions needed for site preparation should be measured from the unit. Aquatic assumes no responsibility for preparatory work.

Type and Model #	Material	Jets	Pump	Heater	Controls	Drain	Pkg. Wt.
Soaker #1260640	Acrylic	0	-	-	-	Left Front	155 (70)
Soaker #1260641	Acrylic	7	0.75 HP	1.5kW inline (optional)	Pneumatic	Left Front	205 (93)

DIMENSIONS inches (mm)

Width Overall / Net	Depth Overall / Net	Height Overall / Net	Skirt Height
60 (1525)	60 (1525)	22 (560)	-

SUMP DATA inches (mm)

Capacity to Overflow gal (ltr)	Min. Operating Capacity gal (ltr)	WIDTH @ centerline		DEPTH @ centerline	
		Top	Bottom	Top	Bottom
90 (340)	74 (281)	59 1/2 (1510)	46 1/2 (1180)	46 (1170)	34 1/2 (875)

PLUMBING DIMENSIONS inches (mm)

A	Drain to Overflow	Drain Diameter / Clearance
30 (760)	15 1/2 (395)	2 (50) / 1 1/4 (30)

ELECTRICAL DATA

Component	Specification	Requirement
Pump	.75 HP; 5 AMP; 120 V	15 AMP; 120V, separate circuit; Class A GFCI
Optional Heater (whirlpool model)	1.5KW; 12.5 AMP; 110 V	15 AMP; 120V, separate circuit; Class A GFCI

- NOTES:
 1) Where applicable, utilize cut-out templates packed with unit for deck cutouts.
 2) 16 x 20 (405 x 510) minimum access required at pump/blower location(s).