

SERENITY 7 – SERENITY SERIES

inches (mm)

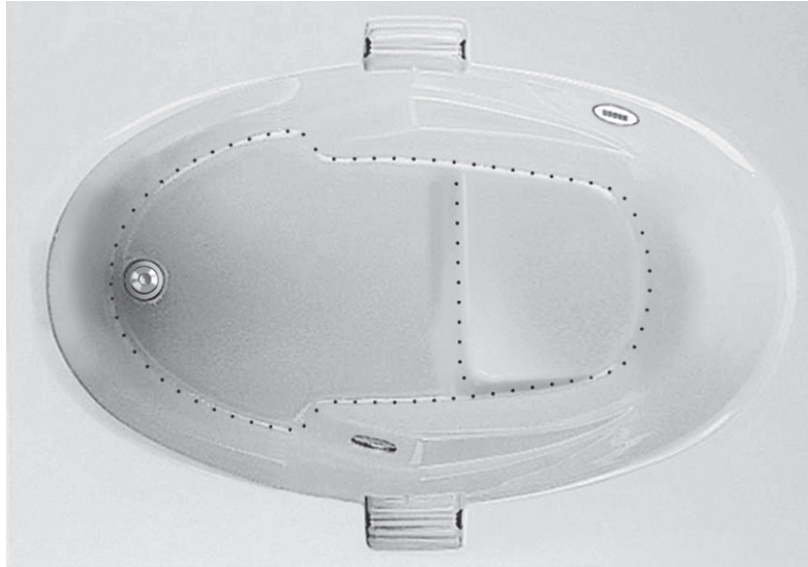
59 ½ x 41 7/8 x 23 (1510 x 1065 x 585) • Fax on Demand #1265

SOAKER MODEL #AI7AIR6042TO

AIR BATH MODEL #AI7AIR6042

HOTSOAK MODEL #AI7AIR6042HS

DRIFTBATH MODEL #AI7AIR6042DB



FEATURES (ALL MODELS)

- Deep bathing well
- Slip-resistant floor
- Acrylic grab bars
- Raised seat
- Sculpted armrests
- Pre-leveled ABS support base
- Universal drain
- Lucite cast acrylic surface
- Limited lifetime warranty

OPTIONS

- Comfort pillow: Biscuit, Black, White
- Grab bar(s): Chrome, Oil Rubbed Bronze, Polished Brass, Brushed Nickel, Color matched (Biscuit, White, Clear)
- Cable drive waste & overflow: Chrome, Oil Rubbed Bronze, Polished Brass, Brushed Nickel, Color Matched (Biscuit, Bone, White)
- Factory installed rigid ABS tile flange
- Acrylic skirt: Color Matched
- Remote control kit
- Remote blower wiring kit
- 1" Low Profile Deck (Skirt option not available with Low Profile Deck)

COLOR & TRIM OPTIONS

Stock	Premium
Almond	Black
Bone	Cashmere
Linen/Biscuit	Mexican Sand
Sterling Silver	Red
White	Sandbar

AQUATIC ADVANTAGE

- National distribution
- 5 manufacturing facilities
- Private fleet
- Centralized customer service
- Field support
- 24-hour fax-on-demand

AVAILABLE SYSTEMS

AIR BATH

- Variable speed blower with 20-minute timer
- Air heating system
- Electronic controls with wave and pulse features
- Air channels lined with antimicrobial coating
- Automatic purge and dry cycle with water sensors
- LED chromatherapy lights (4)

HOTSOAK

- 1.5kW inline maintenance heater
- Quiet, run-dry safe pump
- Low-profile circulation portals
- One-touch electronic on/off control
- Quiet pad anti-vibration pump mount

DRIFTBATH

- Quiet, self-heating integrated pump/motor unit
- Dozens of low-profile, water-only portals
- Electronic control with 20-minute timer
- High-intensity LED chromatherapy lights (4)
- Advanced Safety Suction System

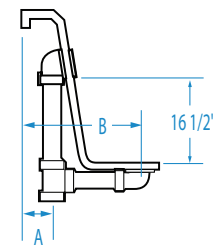
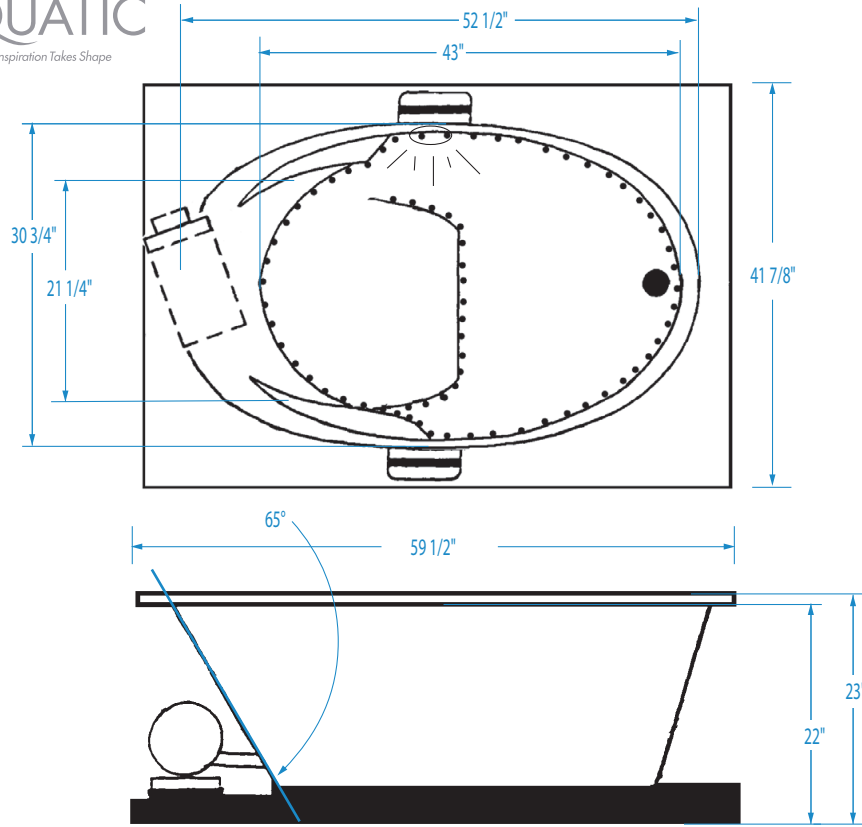


SERENITY 7

59 1/2 x 41 7/8 x 23 (1510 x 1065 x 585) inches (mm)



Note: Serenity tub only models feature a Pre-leveled ABS Support Base.



FEATURES lbs (kg) Dimensional Tolerance ± 3/8". Dimensions needed for site preparation should be measured from the unit. Aquatic assumes no responsibility for preparatory work.

Type and Model #	Material	System	Powered By	Heater	Controls	Drain	Pkg. Wt.
Soaker #AI7AIR6042TO	Acrylic	-	-	-	-	Universal	182 (83)
HotSoak #AI7AIR6042HS	Acrylic	Water circulation	Pump	1.5 kW Inline maintenance	Electronic on/off	Universal	212 (96)
Air Bath #AI7AIR6042	Acrylic	Air Bath	Variable speed blower	Integrated	Electronic variable	Universal	212 (96)
DriftBath #AI7AIR6042DB	Acrylic	Water circulation	Pump	Integrated	Electronic on/off	Universal	223 (101)

DIMENSIONS inches (mm)

Width Overall / Net	Depth Overall / Net	Height Overall / Net	Skirt Height
59 1/2 (1510)	41 7/8 (1065)	23 (585)	-

SUMP DATA inches (mm)

Capacity to Overflow gal (ltr)	Min. Operating Capacity gal (ltr)	WIDTH @ centerline		DEPTH @ centerline	
		Top	Bottom	Top	Bottom
70 (265)	-	52 1/2 (1335)	43 (1090)	30 3/4 (780)	21 1/4 (540)

PLUMBING DIMENSIONS inches (mm)

A	B	Drain Diameter / Clearance
2 1/4 (55)	9 3/4 (250)	

NOTES:

- 1) Where applicable, utilize cut-out templates packed with unit for deck cutouts.
- 2) 16 x 20 (405 x 510) minimum access required at pump/blower location(s).
- 3) For Low Profile Deck, framing height will need to be increased by an additional 1".

ELECTRICAL DATA

Component	Specification	Requirement
Blower/Heater (Air Bath)	10.5 AMP; 120 V	15 AMP; 120V, separate circuit; Class A GFCI
Pump (HotSoak)	1/15 HP; 1.3 AMP; 110 V	20 AMP; 110 V, separate circuit; Class A GFCI
Heater (HotSoak)	1.5 kW; 12.5 AMP; 110 V	
Pump (DriftBath)	3/4 HP; 8.8 AMP; 110 V	15 AMP; 120V, separate circuit; Class A GFCI

Each Serenity air bath is equipped with an air heating system to raise the temperature of the air entering the bath. This air temperature will be lower than the bathing temperature of the water, but will help reduce rapid decrease in water temperature. In addition, the air coming from the air jets will feel cool against the skin. This system does not heat the water.