

4242CPAN – A² COMPOSITE PAN

inches (mm)

42 x 42 x 6 (1070 x 1070 x 150) • Fax on Demand #2103

A² COMPOSITE

Lightweight and durable, our A² Composite is an engineered compound of resin, glass and special fillers formed into sheets. These sheets are then placed under high pressure and heat to liquify the compound, allowing it to flow and take the shape of almost any form imaginable. The results are simple, stylish and a snap to install.



FEATURES

- Shower pan
- Slip-resistant, textured bottom
- Extended tiling flange (3T)
- Enhanced front profile
- Available in White and Biscuit
- Patented design features:
 - corner drainage channels
 - step-design finishing guides
 - extended nailing flange
- Center drain
- Composite surface
- 10-year residential limited warranty

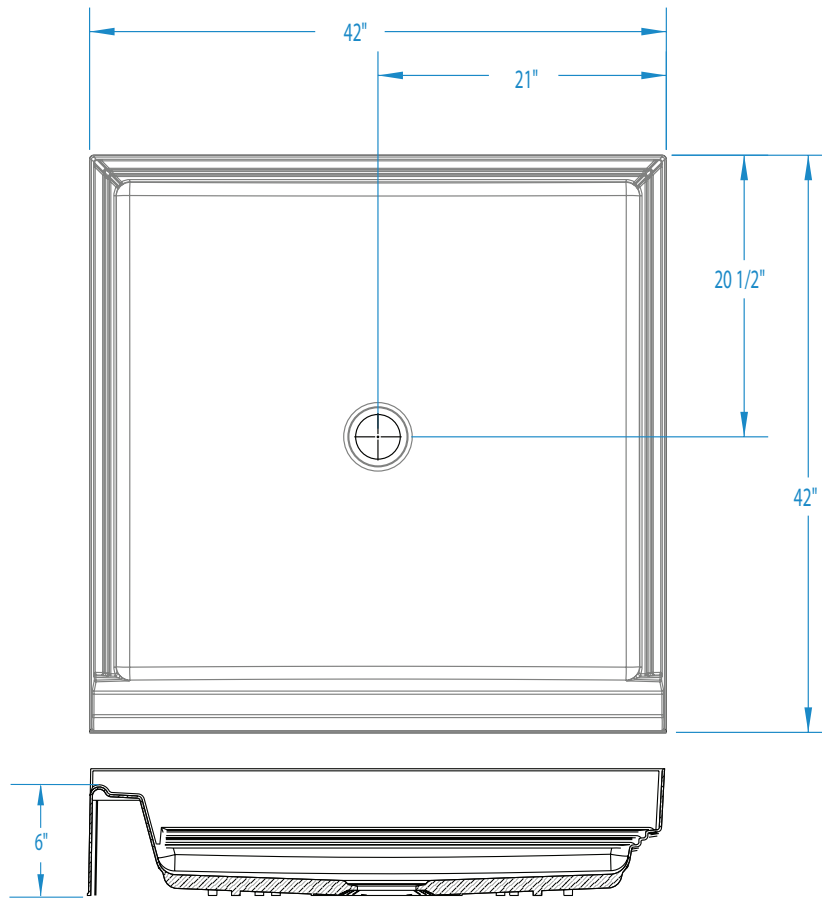
AQUATIC ADVANTAGE

- National distribution
- 5 manufacturing facilities
- Private fleet
- Centralized customer service
- Field support
- 24-hour fax-on-demand



4242CPAN

42 x 42 x 6 (1070 x 1070 x 150)
inches (mm)



FEATURES lbs (kg) Dimensional Tolerance $\pm \frac{3}{8}$ ". Dimensions needed for site preparation should be measured from the unit. Aquatic assumes no responsibility for preparatory work.

Model #	Material	Drain	Net Wt.	Pkg. Wt.
Shower Pan #4242CPAN	Composite	Center	42 (19)	47 (21)

DIMENSIONS

Specifications	inches (mm)
Width: Overall / Net	42 (1070)
Depth: Overall / Net	42 (1070)
Height: Overall / Net	7 (180) / 6 (150)
Enclosure Opening	-
Skirt Height	6 (150)
Drain Rough-In (from Back Wall)	20 ½ (520)
Drain Rough-In (from Side Wall)	21 (535)
Drain: Diameter / Clearance	3 ¼ (85) / 3/8 (10)

FRAMING DIMENSIONS inches (mm)

Type	D Depth	W Width	H Height	A	B	C
Alcove	42 (1065)	42 (1065)	-	Box Out	21 (535)	20 ½ (520)

