

CAM160 – ACRYLIC SHOWERS

inches (mm)

60 x 36 x 90 (1525 x 915 x 2285) • Fax on Demand #4014

MODEL #CAM1600

MODEL #CAM160L/R (1 seat, LH or RH)

MODEL #CAM1602 (2 seats)



FEATURES

- Stylized smooth wall
- Integral dome
- Integral toiletry shelf
- 2 integral footrests (CAM1600)
- 2 molded seats (CAM1602)
- 1 integral footrest, 1 molded seat (CAM160L/R)
- Slip-resistant floor
- Center drain
- Lucite cast acrylic surface
- Limited 5-year warranty

OPTIONS

- Brass drain
- Designer metallic grab bar: Chrome, Oil-Rubbed Bronze, Polished Brass, Brushed Nickel
- Dome light
- Chromatherapy LED lighting
- Shower door series: L0517

AQUATIC ADVANTAGE

- National distribution
- 5 manufacturing facilities
- Private fleet
- Centralized customer service
- Field support
- 24-hour fax-on-demand

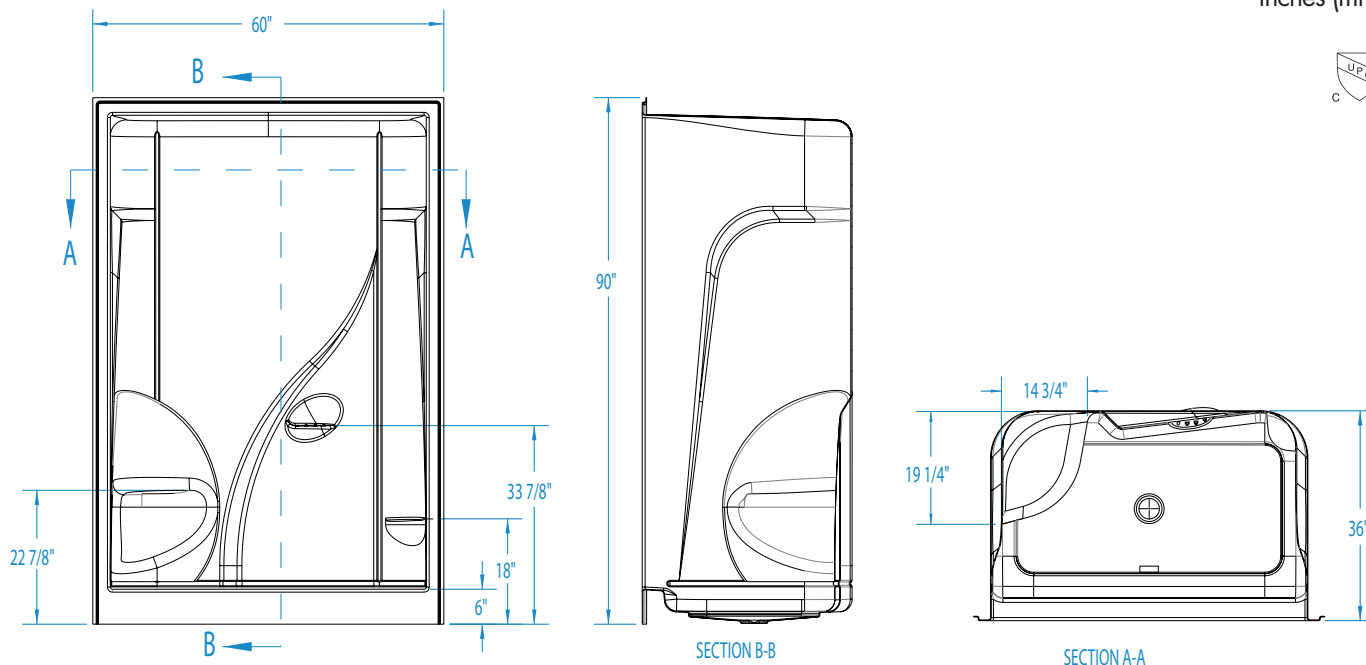
COLOR & TRIM OPTIONS

Stock	Premium
Almond	Black
Bone	Cashmere
Linen/Biscuit	Mexican Sand
Sterling Silver	Red
White	Sandbar



CAM160

60 x 36 x 90 (1525 x 915 x 2285
inches (mm))



FEATURES lbs (kg) Dimensional Tolerance $\pm 3/8"$. Dimensions needed for site preparation should be measured from the unit. Aquatic assumes no responsibility for preparatory work.

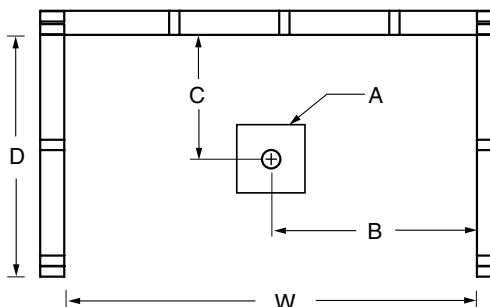
Type and Model #	Material	Wall Finish	Pieces	Drain	Seats	Lights	Pkg. Wt.
Shower #CAM1600	Acrylic	Smooth Wall	1	Center	No seat	Optional	191 (87)
Shower #CAM1602	Acrylic	Smooth Wall	1	Center	2 seats	Optional	209 (95)
Shower #CAM160L/R	Acrylic	Smooth Wall	1	Center	1 seat (LH or RH)	Optional	200 (91)

DIMENSIONS

Specifications	inches (mm)
Width: Overall / Net	60 (1525) /
Depth: Overall / Net	36 (915)
Height: Overall / Net	90 (2285)
Enclosure Opening	54 (1370)W x 81 (2055)H
Skirt Height	6 (150)
Drain Rough-In (from Back Wall)	17 (430)
Drain Rough-In (from Side Wall)	29 (735)
Drain: Diameter / Clearance	3 1/2 (90) / 3/4 (20)

FRAMING DIMENSIONS inches (mm)

Type	D Depth	W Width	H Height	A Box-Out	B	C
Alcove	36 (915)	58 (1475)	-	6 x 6 (150 x 150)	29 (735)	17 (430)



*Refer to installation instructions for further detail. (domed models)