

# SERENITY 37 – SERENITY SERIES

inches (mm)

66 x 38 x 29 (1675 x 965 x 735) • Fax on Demand #1321

SOAKER MODEL #AI37AIR6638TO

AIR BATH MODEL #AI37AIR6638



Note: This model requires a remote blower location. Please refer to the owners manual for detailed installation instructions.

## AQUATIC ADVANTAGE

- National distribution
- 6 manufacturing facilities
- Private fleet
- Centralized customer service
- Field support
- 24-hour fax-on-demand

## COLOR & TRIM OPTIONS

Stock	Premium
Almond	Black
Bone	Cashmere
Linen/Biscuit	Mexican Sand
Sterling Silver	Red
White	Sandbar

Note: The interior of bathing well and outside of bathing well can each be specified in a different color.

## FEATURES (ALL MODELS)

- Freestanding bath
- Deep bathing well
- Interior and exterior can be different colors
- Slip-resistant floor
- Claw feet:  
Chrome, Oil-Rubbed Bronze, Polished Brass, Brushed Nickel, White
- Universal drain
- Lucite cast acrylic surface
- Limited lifetime warranty

## AIR BATH FEATURES

- Variable speed blower with 20-minute timer
- Air heating system
- Electronic controls with wave and pulse features
- Remote blower kit
- Air channels lined with antimicrobial coating

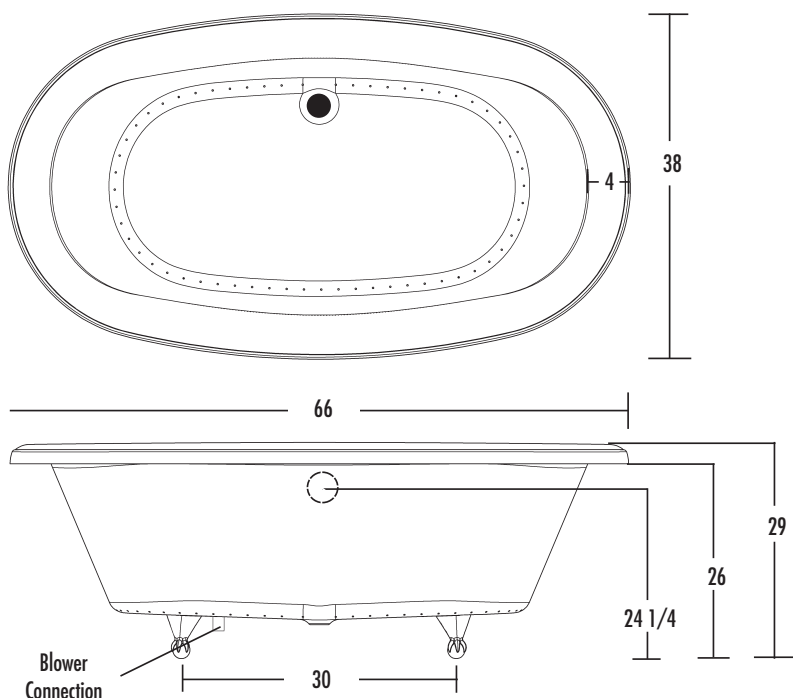
## OPTIONS

- Comfort pillow:  
Biscuit, Black, White
- Freestanding waste & overflow:  
Chrome, Oil Rubbed Bronze, Polished Brass, Brushed Nickel, White



# SERENITY 37

66 x 38 x 29 (1675 x 965 x 735)  
inches (mm)



**FEATURES** lbs (kg) Dimensional Tolerance  $\pm 3/8"$ . Dimensions needed for site preparation should be measured from the unit. Aquatic assumes no responsibility for preparatory work.

Type and Model #	Material	Air System	Blower	Pump	Heater	Controls	Drain	Pkg. Wt.
Soaker #AI37AIR6638TO	Acrylic	-	-	-	-	-	Universal	255 (116)
Air Bath #AI37AIR6638	Acrylic	Channel	Variable speed	-	Inline	Electronic	Universal	285 (129)

## DIMENSIONS inches (mm)

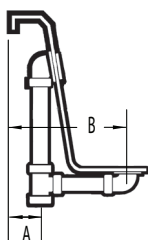
Width Overall / Net	Depth Overall / Net	Height Overall / Net	Skirt Height
66 (1675)	38 (965)	29 (735)	-

## SUMP DATA inches (mm)

Capacity to Overflow gal (ltr)	Min. Operating Capacity gal (ltr)
63 (238)	-

## PLUMBING DIMENSIONS inches (mm)

A	B
3 1/2 (90)	11 (280)



## ELECTRICAL DATA

Component	Specification	Requirement
Blower/Heater (Air Bath)	10.5 AMP; 120 V	15 AMP; 120V, separate circuit; Class A GFCI
Pump (Hot Soak)	1/15 HP; 1.3 AMP; 110 V	20 AMP; 110 V, separate circuit; Class A GFCI
Heater (Hot Soak)	1.5 kW; 12.5 AMP; 110 V	

### NOTES:

- Where applicable, utilize cut-out templates packed with unit for deck cutouts.
- 16 x 20 (405 x 510) minimum access required at pump/blower location(s).

Each Serenity air bath is equipped with an air heating system to raise the temperature of the air entering the bath. This air temperature will be lower than the bathing temperature of the water, but will help reduce rapid decrease in water temperature. In addition, the air coming from the air jets will feel cool against the skin. This system does not heat the water.