

# LUXEAIR 33 MOTIF – LUXEAIR SERIES

inches (mm)

72 x 42 x 23 ½ (1830 x 1070 x 600) • Fax on Demand #1315

MODEL #AI33LUX7242



## FEATURES

- 9 hydrotherapy jets: pressure-flo (4), StressEaz neck and shoulder therapy (2), recessed rotary (3)
- 1.75hp pump
- Electronic controls
- Inline maintenance heater
- Air bath system:
  - Variable speed blower
  - Air heating system
  - Automatic purge and dry cycle with water sensors
- Deep bathing well
- Slip-resistant floor
- Pre-leveled ABS support base
- Quiet pad anti-vibration pump mount
- Center Front drain
- Lucite cast acrylic surface
- Limited lifetime warranty

## AQUATIC ADVANTAGE

- National distribution
- 5 manufacturing facilities
- Private fleet
- Centralized customer service
- Field support
- 24-hour fax-on-demand

## COLOR & TRIM OPTIONS

Stock	Premium
Almond (C, M)	Black (C, M)
Bone (C, M)	Cashmere (M)
Linen/Biscuit (C, M)	Mexican Sand (M)
Sterling Silver (C, M)	Red (M)
White (C, M)	Sandbar (M)

C = Color Matched Trim

M = Metallic Trim (Brushed Nickel, Chrome, Polished Brass)

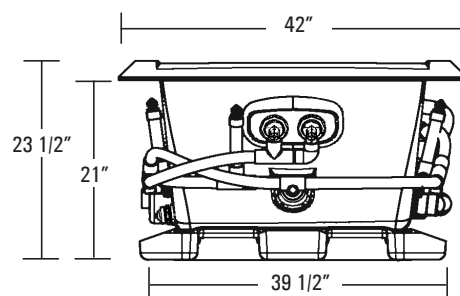
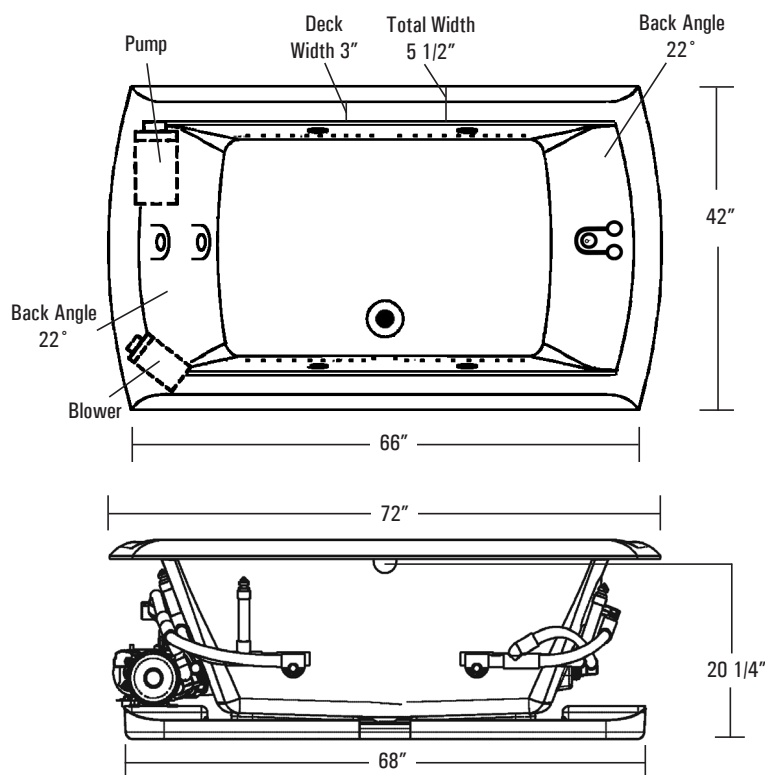
## OPTIONS

- Chromotherapy LED lighting
- Comfort pillow: Biscuit, Black, White
- Bolt-on grab bar(s): Chrome, Oil-Rubbed Bronze, Polished Brass, Brushed Nickel, Color Matched (Biscuit, White)
- Cable drive waste & overflow: Chrome, Oil Rubbed Bronze, Polished Brass, Brushed Nickel, Color Matched (Biscuit, Bone, White)



# LUXEAIR 33 MOTIF

72 x 42 x 23 1/2 (1830 x 1070 x 600)  
inches (mm)



**FEATURES** lbs (kg) Dimensional Tolerance  $\pm 3/8"$ . Dimensions needed for site preparation should be measured from the unit. Aquatic assumes no responsibility for preparatory work.

Type and Model #	Material	Jets	Pump	Air System	Blower	Heater	Controls	Drain	Pkg. Wt.
Air-Whirlpool #AI33LUX7242	Acrylic	9	1.75 HP	Channel	Variable speed	1.5 kw Inline	Electronic	Center Front	257 (115)

## DIMENSIONS inches (mm)

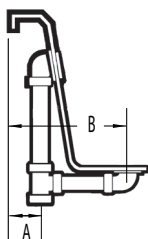
Width Overall / Net	Depth Overall / Net	Height Overall / Net	Skirt Height
72 (1830)	42 (1070)	23 1/2 (600)	-

## SUMP DATA inches (mm)

Capacity to Overflow gal (ltr)	Min. Operating Capacity gal (ltr)
106 (400)	87 (329)

## PLUMBING DIMENSIONS inches (mm)

A	B
3 1/2 (90)	12 1/4 (310)



## ELECTRICAL DATA

Component	Specification	Requirement
Pump	1.75 HP; 12 AMP; 110 V	15 AMP 2 pole, separate circuit, Class A GFCI
Inline Heater	1.5 kW; 12.5 AMP; 110 V	
Blower	1 HP; 10.5 AMP; 110 V	15 AMP 1 pole, separate circuit, Class A GFCI

**NOTE:**  
1) This whirlpool must be hard wired to the breaker box. Three outlets will be supplied on the whirlpool.

**NOTES:**  
1) Where applicable, utilize cut-out templates packed with unit for deck cutouts.

2) 16 x 20 (405 x 510) minimum access required at pump/blower location(s).