

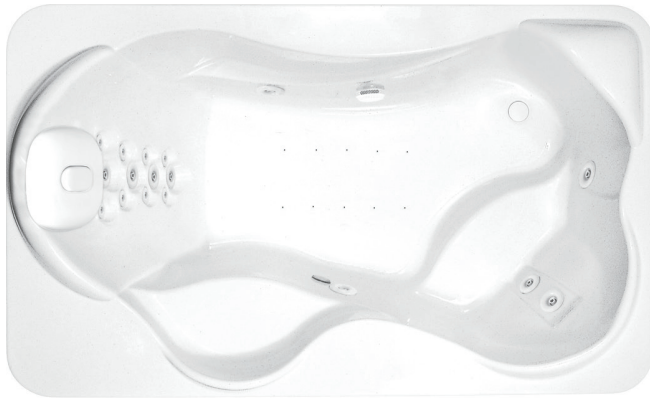
INFINITY 6 – INFINITY SERIES

inches (mm)

72 x 44 x 28 3/4 (1830 x 1120 x 730) • Fax on Demand #1196

MODEL #A16INF7244 (Whirlpool)

MODEL #A16INF7244A (Air-whirlpool)



AQUATIC ADVANTAGE

- National distribution
- 5 manufacturing facilities
- Private fleet
- Centralized customer service
- Field support
- 24-hour fax-on-demand

COLOR & TRIM OPTIONS

Stock	Premium
Almond (C, M)	Black (C, M)
Bone (C, M)	Cashmere (M)
Linen/Biscuit (C, M)	Mexican Sand (M)
Sterling Silver (C, M)	Red (M)
White (C, M)	Sandbar (M)

C = Color Matched Trim

M = Metallic Trim (Brushed Nickel, Chrome, Polished Brass)

FEATURES

- 17 hydrotherapy jets: shiatsu & rotary (12), pressure-flo (3), massage elite (2)
- Pulsating neck jet pillow: Biscuit, Black, White
- 2hp pump
- Digital electronic control
- Shiatsu electronic control with pre-programmed jet sequencer
- Inline maintenance heater
- Fast fill waterfall spout
- Deep bathing well
- Sculpted armrests
- Slip-resistant floor
- Adjusta-level base
- Quiet pad anti-vibration pump mount
- Universal drain
- Lucite cast acrylic surface
- Limited lifetime warranty

OPTIONS

- Air Bath System
 - Variable speed blower
 - Air heating system
 - Automatic purge and dry cycle with water sensors
 - Water-level activated dry cycle
- Comfort pillow: Biscuit, Black, White
- Cable drive waste & overflow: Chrome, Oil Rubbed Bronze, Polished Brass, Brushed Nickel, Color Matched (Biscuit, Bone, White)
- Available Without Fast-fill Waterfall Spout



Two Person Bath

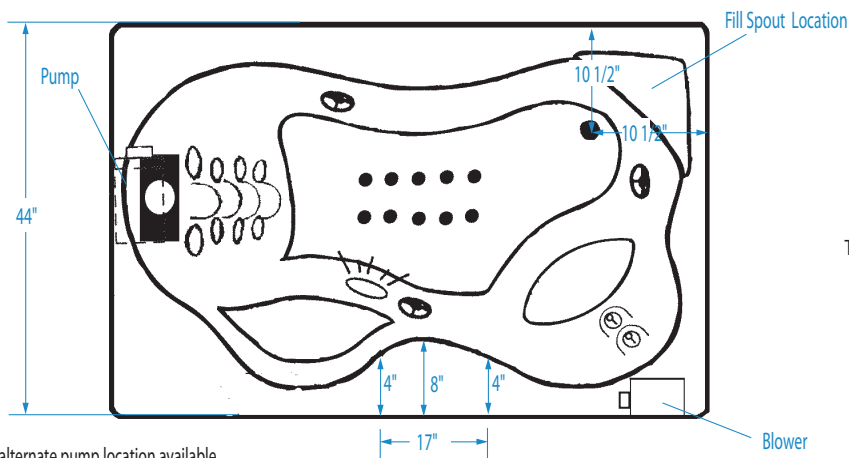


INFINITY 6

72 x 44 x 28 3/4 (1830 x 1120 x 730)
inches (mm)

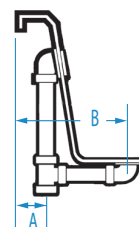
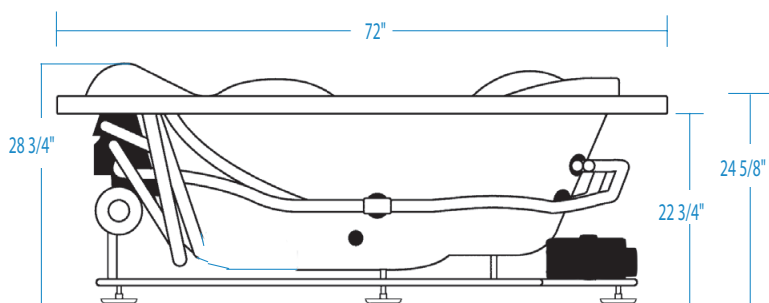


This unit has a 3/4" female waterfall fill spout connection.



No alternate pump location available.

*Shown with optional air system.



FEATURES lbs (kg) Dimensional Tolerance ± 3/8". Dimensions needed for site preparation should be measured from the unit. Aquatic assumes no responsibility for preparatory work.

Type and Model #	Material	Jets	Pump	Air System	Blower	Heater	Controls	Drain	Pkg. Wt.
Whirlpool #A16INF7244	Acrylic	17	2 HP	—	—	1.5 kw Inline	Electronic	Universal	404 (183)
Air-whirlpool #A16INF7244A	Acrylic	17	2 HP	Injector	Variable speed	1.5 kw Inline	Electronic	Universal	424 (190)

DIMENSIONS inches (mm)

Width Overall / Net	Depth Overall / Net	Height Overall / Net	Skirt Height
72 (1830)	44 (1120)	28 3/4 (730)	—

SUMP DATA inches (mm)

Capacity to Overflow gal (ltr)	Min. Operating Capacity gal (ltr)	WIDTH @ centerline		DEPTH @ centerline	
		Top	Bottom	Top	Bottom
117 (440)	98 (370)	64 1/2 (1640)	55 (1340)	29 1/4 (740)	25 1/4 (640)

PLUMBING DIMENSIONS inches (mm)

A	B
5 (130)	10 1/2 (265)

ELECTRICAL DATA

Component	Specification	Requirement
Pump	2 HP; 12 AMP; 110 V	15 AMP 2 pole, separate circuit, Class A GFCI
Inline Heater	1.5 kW; 12.5 AMP; 110 V	
Blower	1 HP; 10.5 AMP; 110 V	15 AMP 1 pole, separate circuit, Class A GFCI

NOTES:

1) Where applicable, utilize cut-out templates packed with unit for deck cutouts.

2) 16 x 20 (405 x 510) minimum access required at pump/blower location(s).