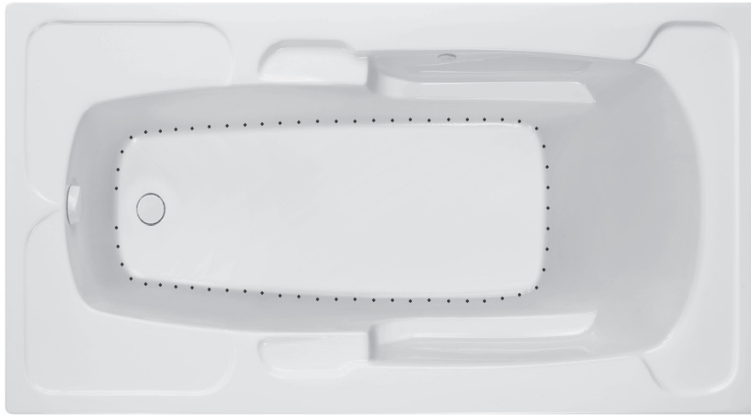


SYMPHONY 3 – SYMPHONY AIR SERIES

inches (mm)

72 x 36 x 22 ½ (1830 x 915 x 570) • Fax on Demand #1334

MODEL #AI7236SYAIR



AQUATIC ADVANTAGE

- National distribution
- 6 manufacturing facilities
- Private fleet
- Centralized customer service
- Field support
- 24-hour fax-on-demand

COLOR & TRIM OPTIONS

Stock

Almond
Bone
Linen/Biscuit
Sterling Silver
White

FEATURES

- Air bath system
- Air blower
- Air heating system
- Automatic purge and dry cycle
- Bath-side on/off button
- Sculpted armrests
- Slip-resistant floor
- Universal drain
- Lucite cast acrylic surface
- Limited 10-year warranty

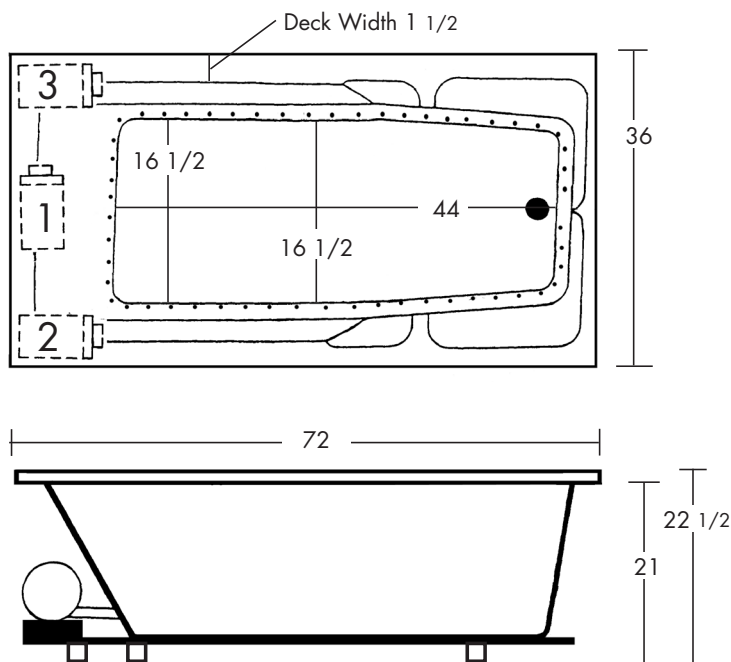
OPTIONS

- Comfort pillow:
Biscuit, Black, White
- Bolt-on grab bar(s): Chrome,
Oil-Rubbed Bronze, Polished
Brass, Brushed Nickel, Color
Matched (Biscuit, White)
- Cable drive waste & overflow:
Chrome, Oil Rubbed Bronze,
Polished Brass, Brushed Nickel,
Color Matched (Biscuit,
Bone, White)
- Lift & turn waste & overflow:
Chrome, Oil Rubbed Bronze,
Polished Brass, Brushed Nickel
- Factory installed rigid
ABS tile flange
- Optional blower location
- Acrylic skirt: Color Matched



SYMPHONY 3

72 x 36 x 22 1/2 (1830 x 915 x 570)
inches (mm)



FEATURES lbs (kg) Dimensional Tolerance ± 3/8". Dimensions needed for site preparation should be measured from the unit. Aquatic assumes no responsibility for preparatory work.

Type and Model #	Material	Air System	Heater	Controls	Drain	Pkg. Wt.
Air Bath #AI7236SYAIR	Acrylic	Channel	Inline	Pneumatic	Universal	169 (75)

DIMENSIONS inches (mm)

Width Overall / Net	Depth Overall / Net	Height Overall / Net	Skirt Height
72 (1830)	36 (915)	22 1/2 (570)	-

SUMP DATA inches (mm)

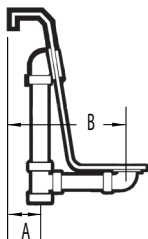
Capacity to Overflow gal (ltr)	Min. Operating Capacity gal (ltr)	WIDTH @ centerline		DEPTH @ centerline	
		Top	Bottom	Top	Bottom
62 (235)	52 (195)	60 1/4 (1550)	46 1/2 (1180)	27 (685)	18 3/4 (475)

PLUMBING DIMENSIONS inches (mm)

A	B
5 1/4 (135)	12 (305)

ELECTRICAL DATA

Component	Specification	Requirement
Blower/Heater	5 AMP; 120 V	15 AMP; 120V, separate circuit; Class A GFCI



NOTES:

1) Where applicable, utilize cut-out templates packed with unit for deck cutouts.

2) 16 x 20 (405 x 510) minimum access required at pump/blower location(s).

Each Symphony air bath is equipped with an air heating system to raise the temperature of the air entering the bath. This air temperature will be lower than the bathing temperature of the water, but will help reduce rapid decrease in water temperature. In addition, the air coming from the air jets will feel cool against the skin. This system does not heat the water.