



# RESIDENTIAL PLASTIC TOILET SEAT

MODEL #

COLOR #

## 1800EC

### DESCRIPTION:

Closed front with cover, elongated, injection molded solid plastic toilet seat. Features four molded-in bumpers, color-matched Easy•Clean & Change™ hinges with non-corrosive, top-tightening bolts and wing nuts. This seat complies with American National Standard Z124.5 Toilet (Water Closet) Seats as a Class Commercial Heavy Duty.

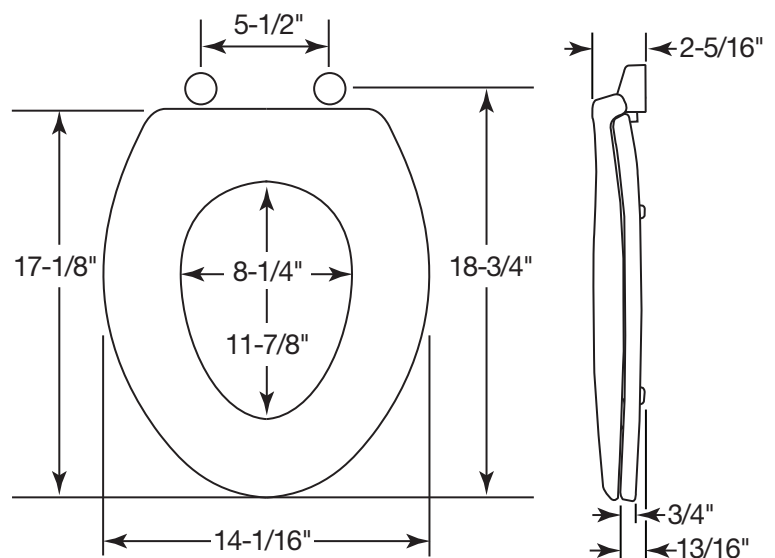
### SPECIFICATIONS:

Size:	Elongated
Material:	Plastic
Style:	Closed Front with Cover
Bumpers:	Four
Hinges:	Plastic Easy•Clean & Change™
Fastening System:	Non-Corrosive Bolts and Wing Nuts

### FEATURES:

- Easy•Clean & Change™
- Non-Corrosive Bolts and Wing Nuts

### DIMENSIONS:



PLASTIC EASY•CLEAN & CHANGE™ HINGES



TWIST HINGES TO UNLOCK



EASY REMOVAL OF SEAT FOR THOROUGH CLEANING



NON-CORROSIVE BOLTS AND WING NUTS

Proudly Made in the USA

Bemis Manufacturing Co., Sheboygan Falls, WI 53085  
www.BemisSeats.com

Phone: 920-467-4621 | 800-558-7651 Fax: 920-467-8573