



COMMERCIAL HEAVY-DUTY PLASTIC TOILET SEAT

MODEL #

COLOR #

1950/1950SS

DESCRIPTION:

Open front with cover, elongated, heavy-duty, injection molded solid plastic toilet seat. Features four molded-in bumpers, color-matched Top-Tite® hinges with non-corrosive, top-tightening Hex-Tite™ bolts and wing nuts (1950) or non-corrosive 300 Series stainless steel self-sustaining hinges (1950SS). This seat complies with American National Standard Z124.5 Toilet (Water Closet) Seats as a class Commercial Heavy Duty.

SPECIFICATIONS:

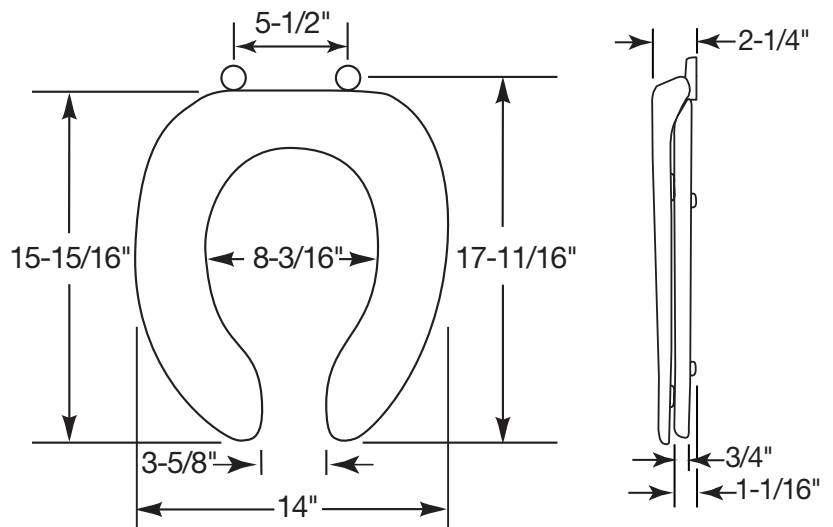
Size:	Elongated
Material:	Plastic
Style:	Open Front with Cover
Bumpers:	Four
Hinges:	Plastic Top-Tite® (1950) or 300 Series Stainless Steel Self-Sustaining (1950SS)
Fastening System:	Non-Corrosive Hex-Tite™ Bolts and Wing Nuts (1950) or 300 Series Stainless Steel Hardware (1950SS)

FEATURES:

Top-Tite® (1950) or 300 Series Stainless Steel Self Sustaining (1950SS) Hinges

Non-Corrosive Hex-Tite™ Bolts and Wing Nuts (1950) or 300 Series Stainless Steel Hardware (1950SS)

DIMENSIONS:



TOP-TITE® HINGES (1950)



NON-CORROSIVE BOLTS AND WING NUTS (1950)



300 SERIES STAINLESS STEEL SELF-SUSTAINING HINGES (1950SS)

