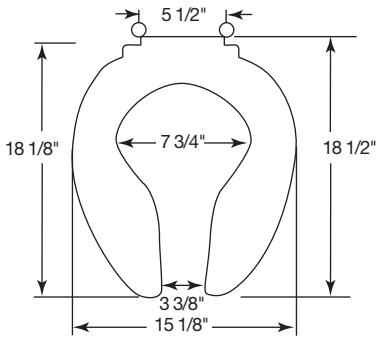




COMMERCIAL PLASTIC SEATS

MODEL 9400CT

- ELONGATED SEAT, OPEN FRONT LESS COVER
- SOLID PLASTIC
- POSTUREMOLD® DESIGN
- STA-TITE®, COMMERCIAL FASTENING SYSTEM™



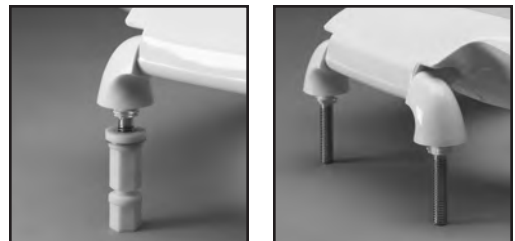
Ring thickness is 1"
 Ring thickness including the bumper is 1-1/4"
 Height of seat is 2-5/8"

Seats shall be No. _____ as manufactured by Church Seats. Seats shall be extra heavy weight and injection molded of solid plastic. Seats shall be open front less cover for elongated bowl and feature exclusive Posturemold® design and four large molded-in bumpers. Seats shall have STA-TITE®, Commercial Fastening System™, featuring external check hinges with 300 Series stainless steel posts and pintles that stop seat 11 degrees beyond vertical.

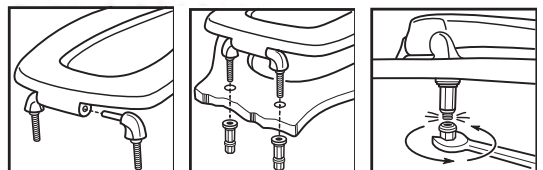
Color to be _____.
 (Specify white or fixture manufacturer's color.)

Hinges shall be 9400CT / 9400SSCT.
 (Circle model based on description below.)

9400CT External check hinge stops seat 11° beyond vertical.
9400SSCT Self-sustaining, external check hinge holds seat in any raised position up to 11° beyond vertical.



STATITE®



Assemble hinges.

Finger-tighten fastening nuts.

Using wrench, tighten until lower portion shears off.