

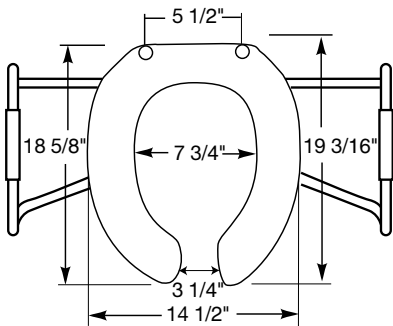


MEDIC-AID® SEATS

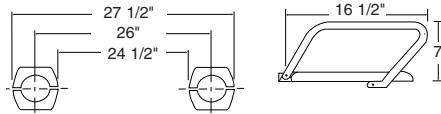
# MODEL MA2155T

- ELONGATED SEAT, OPEN FRONT LESS COVER
- SOLID PLASTIC
- DURAGUARD® ANTIMICROBIAL AGENT
- STAINLESS STEEL SIDE ARMS
- STA-TITE®, COMMERCIAL FASTENING SYSTEM™

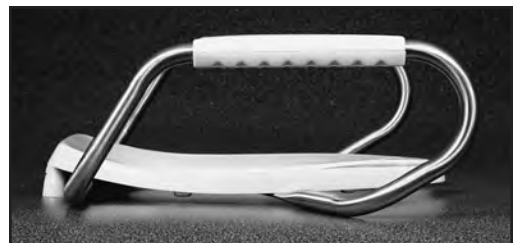
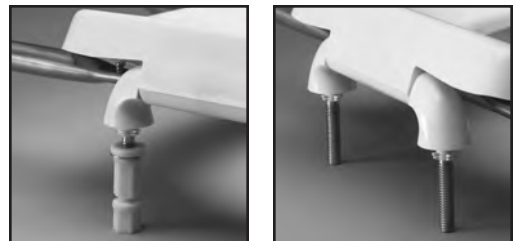
DuraGuard®  
ANTIMICROBIAL



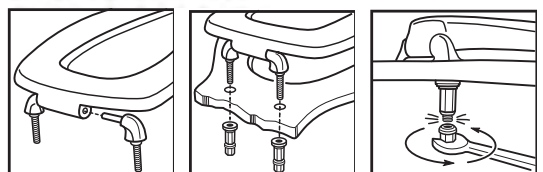
Ring thickness is 13/16"  
Ring thickness including the bumper is 1"  
Height of the seat is 2-1/4"



Seats shall be No. MA2155T as manufactured by Church Seats. Seats shall be open front less cover for elongated bowl and injection molded of heavy duty solid plastic. Seats shall contain DuraGuard®, an antimicrobial agent. Factory-assembled "Safety-Side" arms shall be heavy-duty stainless steel and feature textured plastic handgrips with finger grooves. Seat shall feature large molded-in bumpers. Seats shall have STA-TITE®, Commercial Fastening System™, featuring concealed check hinges with 300 Series stainless steel posts and pintles that stop seat 11 degrees beyond vertical. Color to be white.



## STA-TITE®



Assemble hinges.

Finger-tighten fastening nuts.

Using wrench, tighten until lower portion shears off.