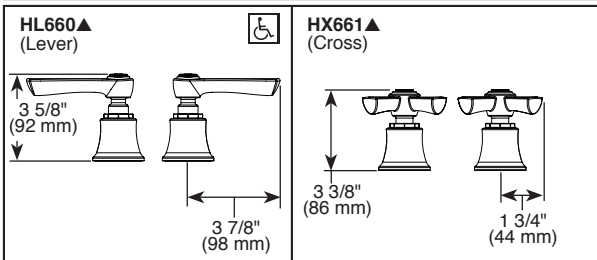
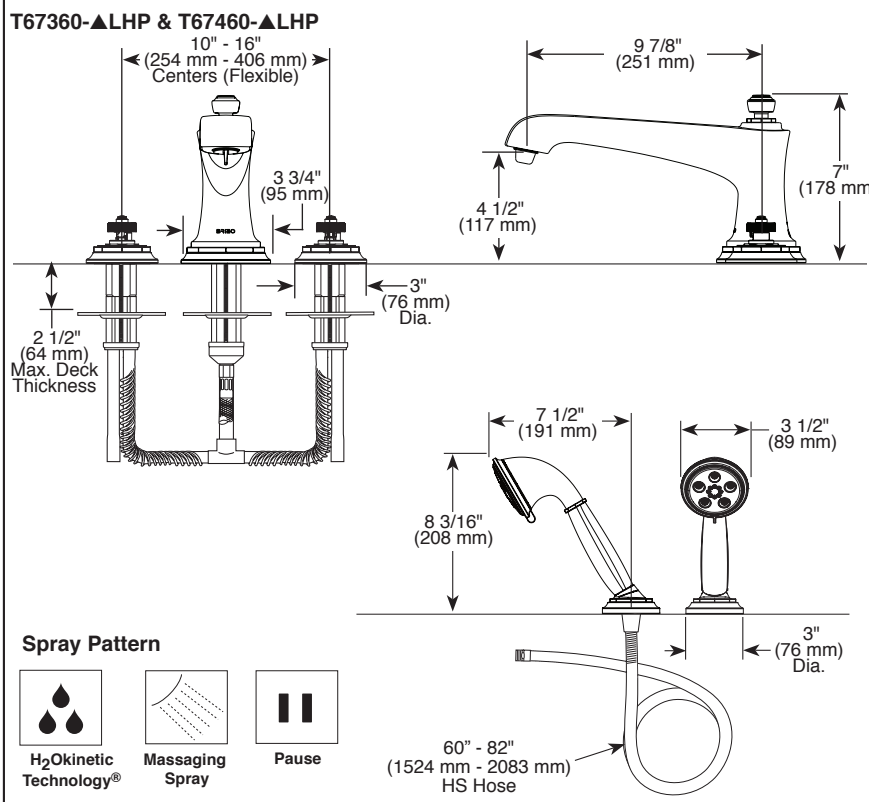
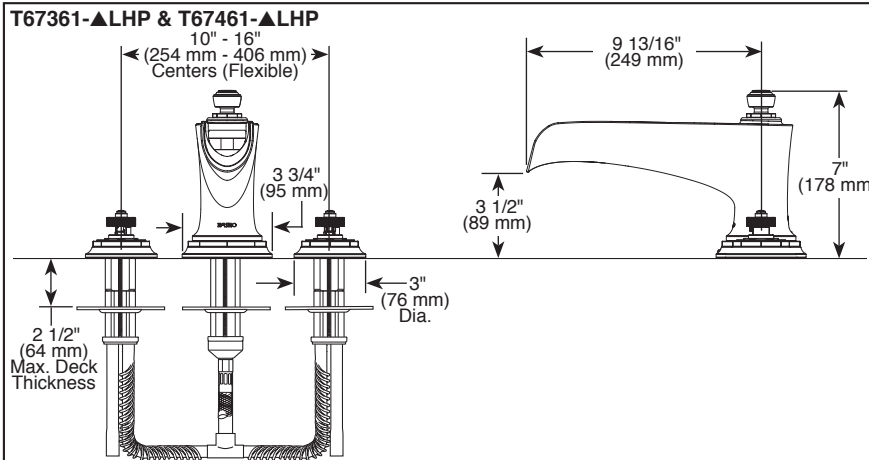


Submitted Model No.: _____

Specific Features: _____



▲ Designate proper finish suffix

Brizo Kitchen & Bath Company reserves the right (1) to make changes in specifications and materials, and (2) to change or discontinue models, both without notice or obligation. Dimensions are for reference only. See current full-line price book or www.brizo.com for finish options and product availability.

BSP-B-T67361-LHP Rev. E

BRIZO®

ROMAN TUB FAUCET TRIM ONLY

- Rook™ Collection
- Three Hole Installation (T67360-LHP & T67361-LHP)
- Four Hole Installation (T67460-LHP & T67461-LHP)

FEATURES:

- H₂Okinetic Technology®
- Handles attach with rare earth magnets inside handles. No set screw required. Simplifies installation and provides flush mount installation.

STANDARD SPECIFICATIONS:

- Handshower maximum flow rate 1.75 gpm @ 80 psi, 6.6 L/min @ 550 kPa
- Trim only for two handle Roman Tub faucet for concealed mounting
- Available in Channel and Closed spout
- Temperature and volume controlled with handles
- Rough-In kit sold separately (R64707 for four hole and R62707 for three hole)
- Multifunction handshower includes dual check valves for backflow prevention (T67461)
- Minimum 10" (254 mm) to maximum 16" (406 mm) distance between holes
- Handles sold separately (HL660 or HX661)
- 60" - 82" (1524 mm - 2083 mm) stretchable finished metal hose (T67461)

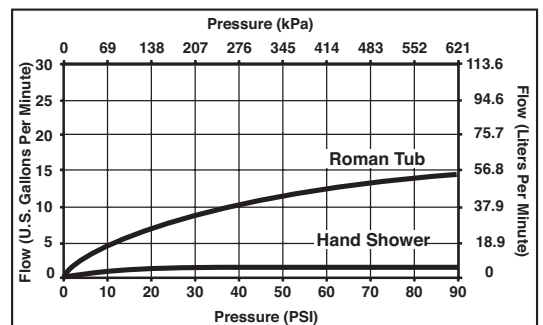
WARRANTY

- Lifetime limited warranty on parts (other than electronic parts and batteries) and finishes: or, for commercial users, for 5 years from date of purchase.
- 5 year limited warranty on electronic parts (other than batteries); or, for commercial users, for 1 year from the date of purchase. No warranty is provided on batteries.



COMPLIES WITH:

- ASME A112.18.1 / CSA B125.1
- Indicates compliance to ICC/ANSI A117.1- Valve control only
- EPA WaterSense® - Applies to handshower only - RP81079*



Brizo Kitchen & Bath Company

55 E. 111th Street, Indianapolis, Indiana 46280
 350 South Edgeware Road, St. Thomas, ON N5P 4L1
 © 2017 Brizo Kitchen & Bath Company