

# BRIZO<sup>®</sup>

## SENSORI<sup>®</sup> CUSTOM SHOWER TRIM

- Invari™ Bath Collection
- Volume Control Trim


### STANDARD SPECIFICATIONS

- Must also order R35600 Rough-In
- 90° handle rotation controls volume only
- Volume control flows up to 16.2 gpm @ 60 psi
- Maximum flow 8.2 gpm @ 60 psi per volume control when paired with Sensori Thermostatic trim
- Volume controls are required for every outlet and every set of body sprays (up to max flow)
- All parts are replaceable from the front
- Recommended working pressure of 45-80 psi
- Volume control only; must be used with temperature control device
- Rough can accommodate up to 3 1/4" wall thickness.  
NOTE: some applications may require stem extender RP100304.

### WARRANTY

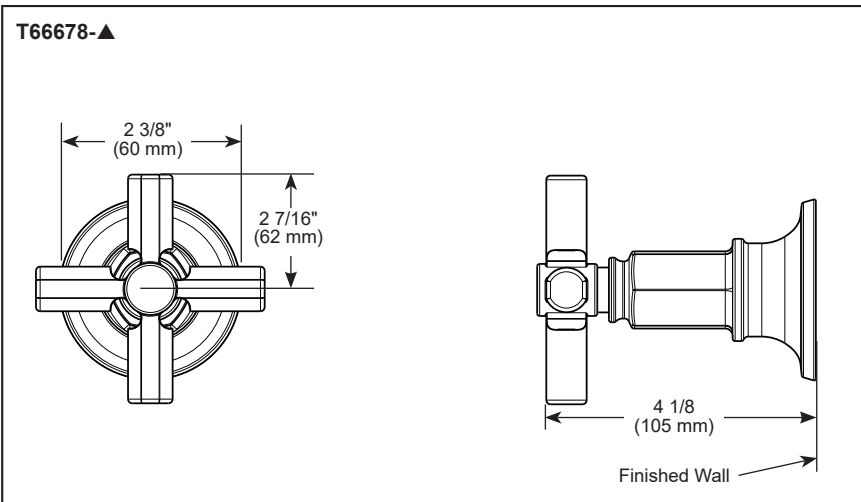
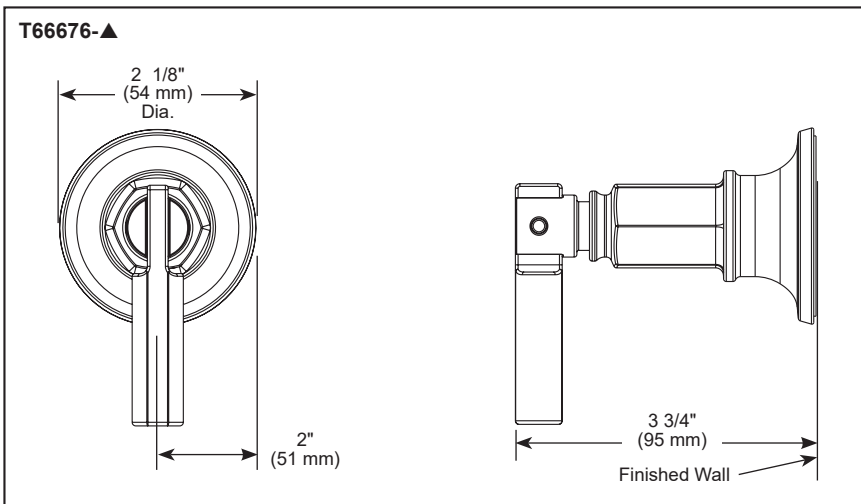
- Parts and Finish – Lifetime limited warranty; or for commercial purchasers, 10 years for multi-family residential (apartments and condominiums) and 5 years for all other commercial uses, in each case from the date of purchase.
- Electronic Parts and Batteries (if applicable) – 5 years from the date of purchase; or for commercial purchasers, 1 year from the date of purchase. No warranty is provided on batteries.

### COMPLIES WITH:

- ASME A112.18.1 / CSA B125.1
-  Indicates compliance to ICC/ANSI A117.1

Submitted Model No.: \_\_\_\_\_

Specific Features: \_\_\_\_\_



▲ Designate proper finish suffix

Brizo Kitchen & Bath Company reserves the right (1) to make changes in specifications and materials, and (2) to change or discontinue models, both without notice or obligation. Dimensions are for reference only. See current full-line price book or [www.brizo.com](http://www.brizo.com) for finish options and product availability.