

MECHANICAL FAUCETS

897-MPCCP

Manual and Metering Faucets

Product Type

Wall Mounted 8" Body, Adjustable Arms 7 5/8" - 8 3/4" Hot and Cold Water Sink Faucet with Integral Hot and Cold Water Supply Stops - Master Pack of 8

Features & Specifications

- 8" Body, Adjustable Arms 7 5/8" - 8 3/4"
- 2-3/8" Lever Handle
- Quatum Compression Operating Cartridge
- 1/2" NPT Adjustable Female Union Nut Supply Arms w/ check valves
- 3/4" Male Hose Thread Outlet
- Round Wall Escutcheons
- Integral Stop Valves for Servicing the product
- Vacuum Breaker Spout with Pail Hook and Wall Brace
- Atmospheric Vacuum Breaker, Not Intended for Continuous Pressure Applications

Performance Specification

- Rated Operating Pressure: 20-125 PSI
- Rated Operating Temperature: 40-140°F

Warranty

- Lifetime Limited Faucet Warranty
- 5-Year Limited Cartridge Warranty
- 1-Year Limited Finish Warranty

Codes & Standards

- ASME A112.18.1/CSA B125.1

Job Name _____

Item Number _____

Section/Tag _____

Model Specified _____

Architect _____

Engineer _____

Contractor _____

Submitted as Shown Submitted with Variations

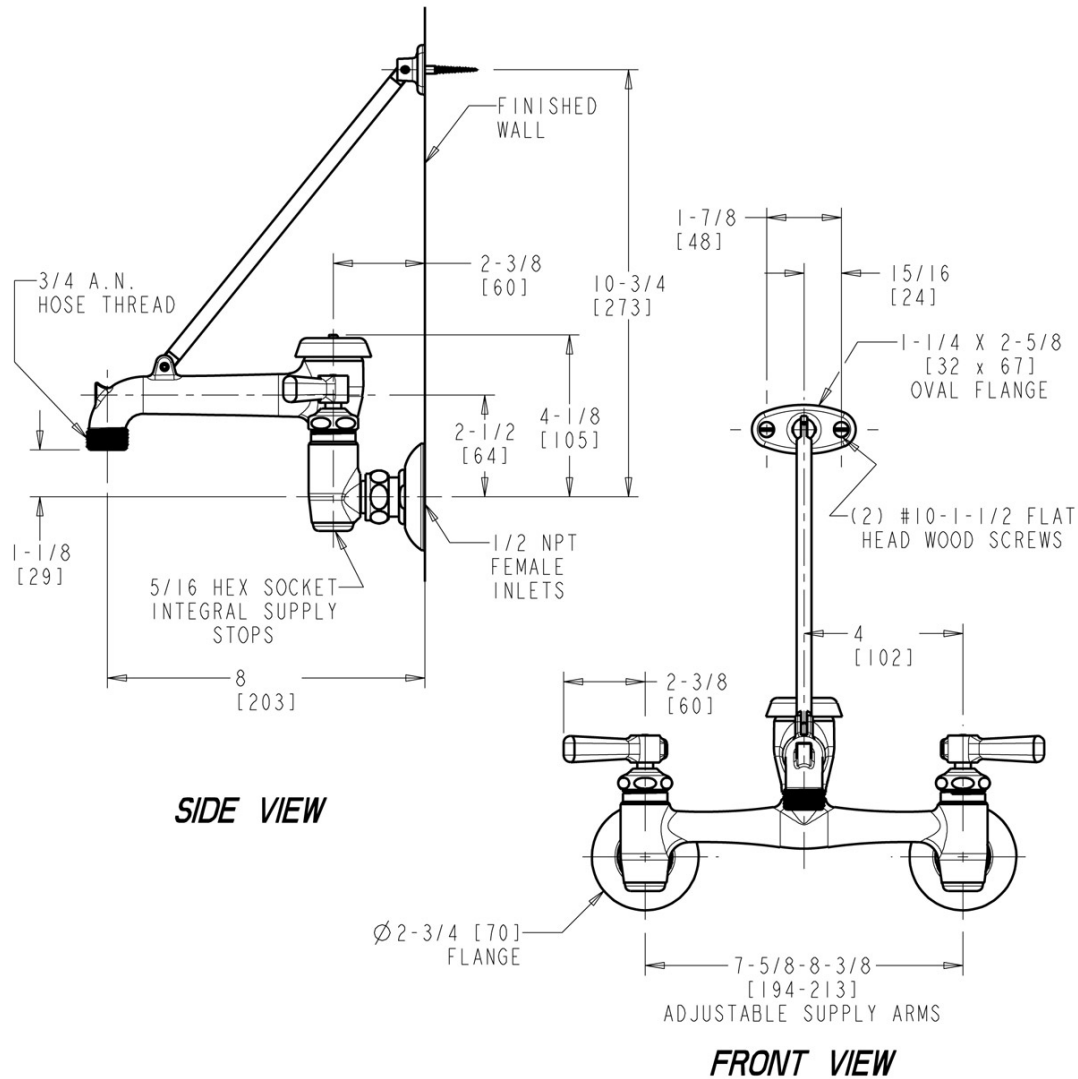
Date _____



2100 South Clearwater Drive
Des Plaines, IL
P: 847/803-5000
F: 847/803-5454
Technical: 800/TEC-TRUE
www.chicagofaucets.com

Architect/Engineer Specification

Chicago Faucets No. 897-MPCCP, Wall Mounted 8" Body, Adjustable Arms 7 5/8" - 8 3/4" Hot and Cold Water Sink Faucet with Integral Hot and Cold Water Supply Stops - Master Pack of 8, Chrome Plated solid brass construction. Vacuum Breaker Spout with Pail Hook and Wall Brace. 2-3/8" Metal Lever handle(s) with Eight Point Tapered Broach and Secured Blue and Red Buttons. Quatern™ rebuildable compression cartridge, opens and closes 90°, closes with water pressure, features square tapered stem. 1/2" NPT Adjustable Female Union Nut Supply Arms w/ check valves. 3/4" Male Hose Thread Outlet. Round Wall Escutcheons. Integral Stop Valves for Servicing the product. Atmospheric Vacuum Breaker, Not Intended for Continuous Pressure Applications. Secondary Control Valve: Vacuum Breaker Spout with Pail Hook and Wall Brace. .



Operation and Maintenance

Installation should be in accordance with local plumbing codes. Flush all pipes thoroughly before installation. After installation, remove spout outlet or flow control and flush faucet thoroughly to clear any debris. Care should be taken when cleaning the product. Do not use abrasive cleaners, chemicals or solvents as they can result in surface damage. Use mild soap and warm water for cleaning and protecting the life of Chicago Faucet products. For specific operation and maintenance refer to the installation instructions and repair parts documents that are located at www.chicagofaucets.com.

Chicago Faucets, member of the Geberit Group, is the leading brand of commercial faucets and fittings in the United States, offering a complete range of products for schools, laboratories, hospitals, office buildings, food service, airports and sport facilities. Call 1.800.TECTRUE or 1.847.803.5000 Option 1 for installation or other technical assistance.



2100 South Clearwater Drive
Des Plaines, IL
P: 847/803-5000
F: 847/803-5454
Technical: 800/TEC-TRUE
www.chicagofaucets.com