



No. 548
CENTRALEVER RETRACTABLE
STAINLESS STEEL HOSE REEL AND SPRAY

- ELECTROLYTICALLY POLISHED STAINLESS STEEL HOUSING.
- MAXIMUM OPERATING CONDITIONS 125 PSI AND 180°F
- 3/8" I.D. HOSE 35 FEET LONG
- FLOOR OR WALL MOUNT
- INCLUDES HOSE BUMPER

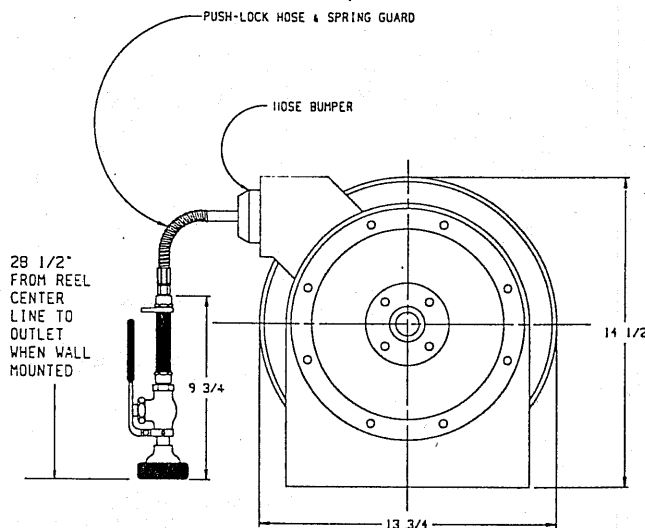
SAFETY

- Do not use reels at higher pressures or temperatures than listed on the back of this bulletin.
- Remove all spring tension before beginning disassembly process.

LIMITED WARRANTY

All reels are warranted to be free of defects in material and workmanship for 12 months from the date of shipment. The Company's liability shall be limited to repair or replacement of defective material within the warranty period when returned freight prepaid to its plant or to a designated service depot.

The warranty does not cover damage caused by accident, abuse or faulty installation. All products must be installed and maintained in compliance with the manual of instruction furnished with each reel.



INSTRUCTIONS

Mountings:

The hose reel is equipped with a universal mounting bracket so that it can be mounted on the floor, wall or ceiling; whichever place is convenient. The hose guide arm can be moved to the position desired by removing the screws fastening the guide bracket to the reel base. Shift the guide arm bracket so the hose comes off the reel at the desired position.

Lubrication:

Hose reel springs and bearings are backed with grease and require no further lubrication.

Replacing Hose:

1. Wind spool flange clockwise — facing swivel — until spring is tight.
2. Back off three turns and latch.
3. Insert hose through roller guide and hose in spool flange.
4. Connect hose fitting to swivel joint and secure hose with clamps.

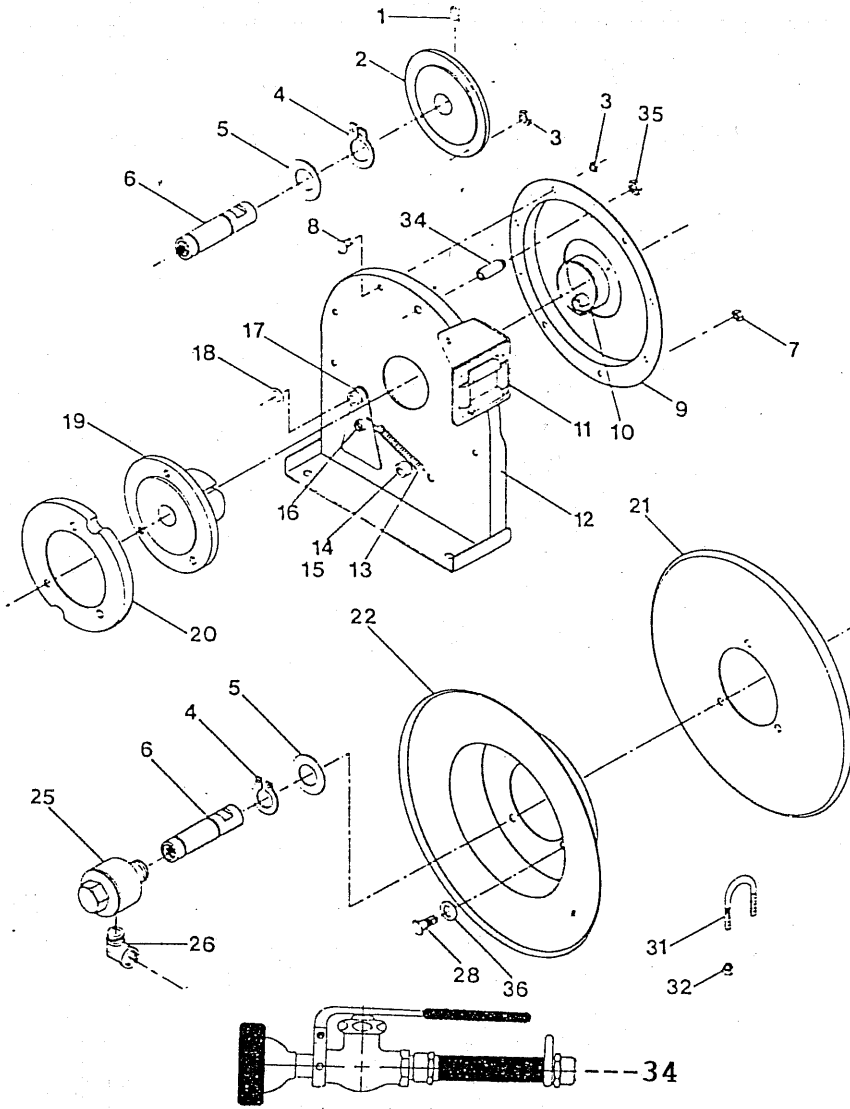
Adjustments:

To adjust spring tension, add or remove wraps of hose from the spool, one wrap at a time until desired tension is obtained.

Repairs:

Extensive repairs should be performed only by an authorized serviceman or factory to avoid damage which may void your warranty. Remove all spring tension before beginning disassembly process.

Parts List



ITEM #	NO. REQ.	DESCRIPTION DESCRIPTION
1	1	3/8-16 x 1/2 set screw
2	1	hub casting
3	11	10-32 hex loc-nut
4	2	1" snap ring
5	2	spacing washer
6	1	main shaft
7	1	10-32 hex loc-nut
8	7	10-32 x 1/2 screw
9	1	spring case assembly
11	1	guide arm & roller assembly
12	1	base assembly
13	1	latch spring
14	1	latch bumper
15	1	10-32 x 3/8 screw
16	1	10-32 x 7/8 screw
17	1	latch plate assembly
18	1	latch roller bumper
19	1	bearing & spring arbor
20	1	latch cam
21	1	reel sheave disc
22	1	reel sheave
25	1	swivel joint
26	1	steel street ell
28	3	1/4-20 x 5/8 cap screw
32	2	1/4-20 loc-nut
34	1	spring case stud
35	1	3/8-24 hex jam nut
36	3	Washer 1/4" I.D.
10	1	drive spring
27	1	hose assembly
31	1	hose clamp
33	1	hose bumper
34	1	prerinse valve

Specifications

HOSE I.D. & LENGTH	3/8" x 35'
REEL INLET CONNECTION	3/8" FPT
MAX. OPERATING PRESSURE	125 PSI
MAX. OPERATING TEMPERATURE	180° F

HOW TO ORDER REPLACEMENTS PARTS

Please provide following information:

- Model Number
- Serial Number
- Parts Description and Number as shown in Parts List

For a breakdown of parts for prerinse valve, see separate #80 parts list.