

MECHANICAL FAUCETS

536-537WCNF



Washdown and Sill

Product Type

Wall Mounted 8" Center Hose Reels Hose Reel Assembly with Cover and Fitting

Features & Specifications

- 8" Center Hose Reels
- 2.5 GPM @ 60 PSI
- 3" Cross Handle
- Quatum Compression Operating Cartridge
- 1/2" NPT Female Thread Inlets
- Retractable 35 Ft. x 3/8" I.D. Rubber Hose
- Concealed Two-Valve Fitting
- Concealed Control Valve
- Concealed Straight Wall Stop Valves

Performance Specification

- Rated Operating Pressure: 20-125 PSI
- Rated Operating Temperature: 40-140 °F

Warranty

- Lifetime Limited Faucet Warranty
- 5-Year Limited Cartridge Warranty
- 1-Year Limited Finish Warranty

Codes & Standards

- ASME A112.18.1/CSA B125.1

Job Name _____

Item Number _____

Section/Tag _____

Model Specified _____

Architect _____

Engineer _____

Contractor _____

Submitted as Shown Submitted with Variations

Date _____

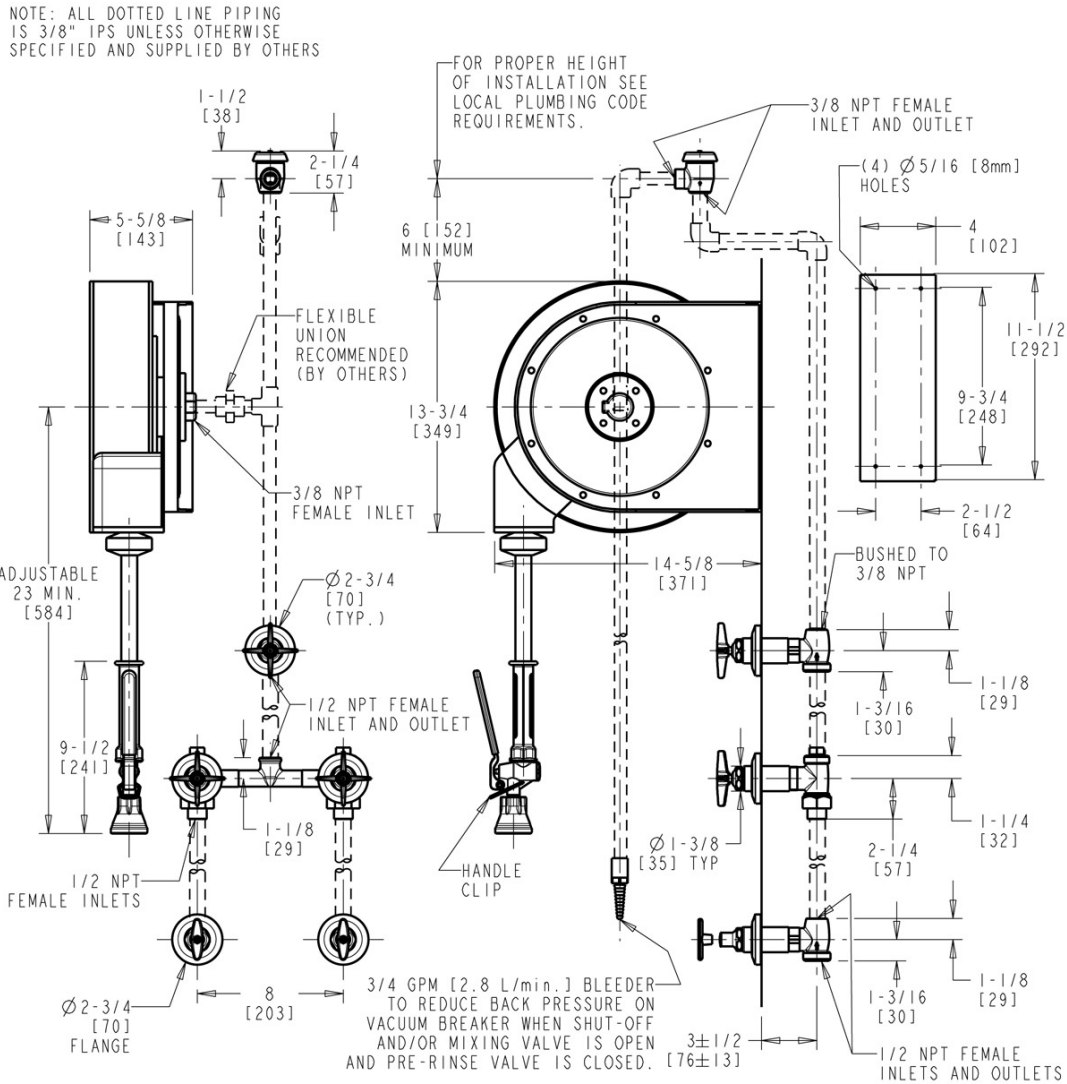


2100 South Clearwater Drive
 Des Plaines, IL
 P: 847/803-5000
 F: 847/803-5454
 Technical: 800/TEC-TRUE
 www.chicagofaucets.com

Washdown and Sill

Architect/Engineer Specification

Chicago Faucets No. 536-537WCNF, Wall Mounted 8" Center Hose Reels Hose Reel Assembly with Cover and Fitting. 2.5 GPM @ 60 PSI Hose Reel Spray Valve Spray. 3" Metal Cross handle(s) with Eight Point Tapered Broach and Secured Blue and Red Buttons. Quatern™ rebuildable compression cartridge, opens and closes 90°, closes with water pressure, features square tapered stem. 1/2" NPT Female Thread Inlets. Retractable 35 Ft. x 3/8" I.D. Rubber Hose. Concealed Two-Valve Fitting. Concealed Control Valve. Concealed Straight Wall Stop Valves. .



Operation and Maintenance

Installation should be in accordance with local plumbing codes. Flush all pipes thoroughly before installation. After installation, remove spout outlet or flow control and flush faucet thoroughly to clear any debris. Care should be taken when cleaning the product. Do not use abrasive cleaners, chemicals or solvents as they can result in surface damage. Use mild soap and warm water for cleaning and protecting the life of Chicago Faucet products. For specific operation and maintenance refer to the installation instructions and repair parts documents that are located at www.chicagofaucets.com.

Chicago Faucets, member of the Geberit Group, is the leading brand of commercial faucets and fittings in the United States, offering a complete range of products for schools, laboratories, hospitals, office buildings, food service, airports and sport facilities. Call 1.800.TECTRUE or 1.847.803.5000 Option 1 for installation or other technical assistance.



2100 South Clearwater Drive
Des Plaines, IL
P: 847/803-5000
F: 847/803-5454
Technical: 800/TEC-TRUE
www.chicagofaucets.com