

**CHICAGO FAUCETS**  
a Geberit company

2100 South Clearwater Drive  
Des Plaines, IL 60018  
Phone: 847-803-5000  
Fax: 847-803-5454  
www.chicagofaucets.com

**REPAIR PARTS**

FITTING NO.

**116.103.AB.1**

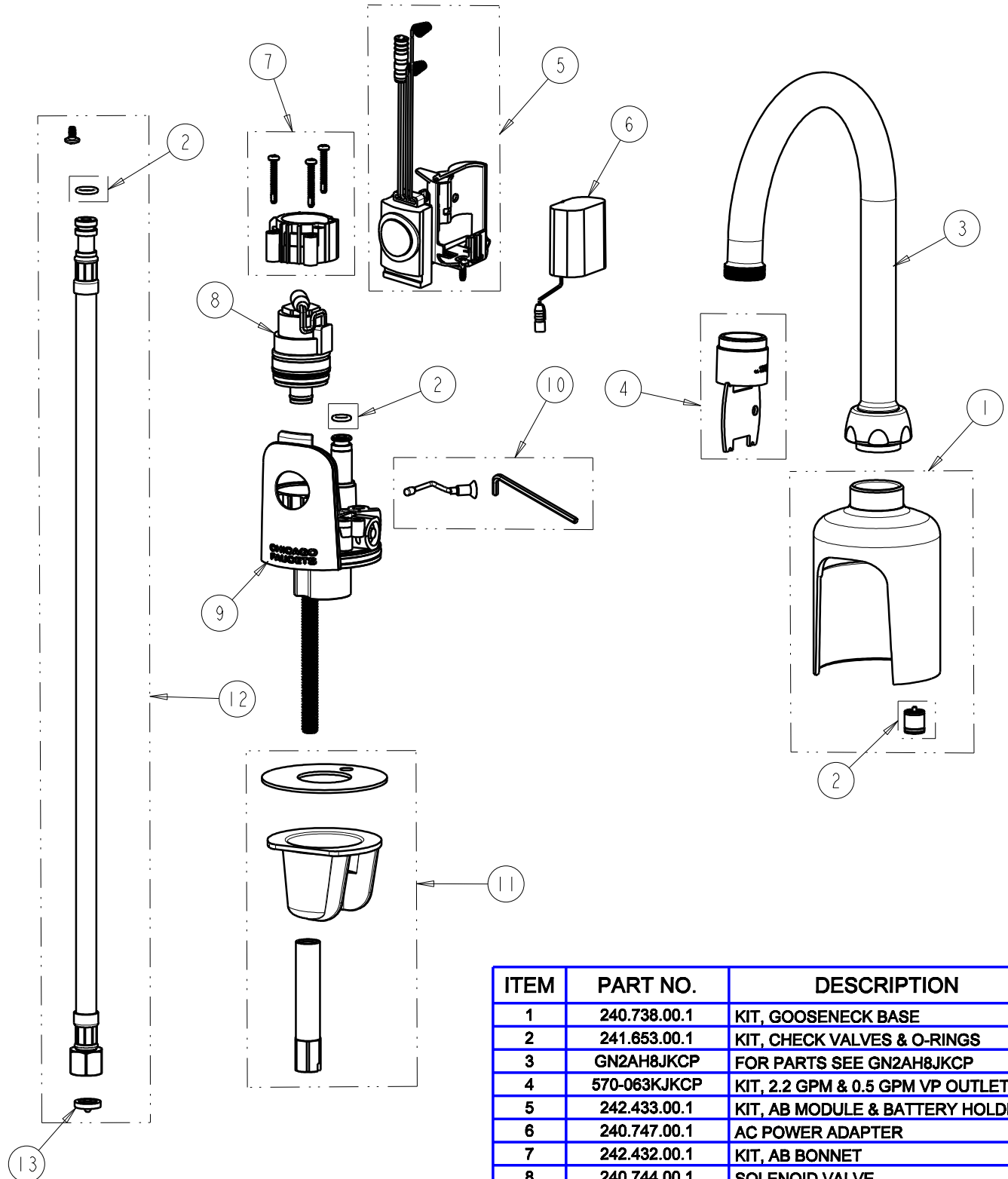
SUBMITTED MODEL NO.

ITEM NO.

BY: SID DATE: 11-10-09

CHK: *[Signature]* REV:

**FOR TECHNICAL ASSISTANCE**  
**1-800-TEC-TRUE (1-800-832-8783)**



ITEM	PART NO.	DESCRIPTION
1	240.738.00.1	KIT, GOOSENECK BASE
2	241.653.00.1	KIT, CHECK VALVES & O-RINGS
3	GN2AH8JKCP	FOR PARTS SEE GN2AH8JKCP
4	570-063JKCP	KIT, 2.2 GPM & 0.5 GPM VP OUTLET
5	242.433.00.1	KIT, AB MODULE & BATTERY HOLDER
6	240.747.00.1	AC POWER ADAPTER
7	242.432.00.1	KIT, AB BONNET
8	240.744.00.1	SOLENOID VALVE
9	-----	BODY, NOT SOLD SEPARATELY
10	240.753.00.1	SHUT-OFF SCREW ASSEMBLY
11	240.745.00.1	KIT, DECK MOUNTING HARDWARE
12	240.693.00.1	KIT, SS BRAIDED HOSE (QTY 1)
13	3300-005JKNF	FILTER/SCREEN