

**CHICAGO FAUCETS**  
a Geberit company

2100 South Clearwater Drive  
Des Plaines, IL 60018  
Phone: 847-803-5000  
Fax: 847-803-5454  
www.chicagofaucets.com

# REPAIR PARTS

BY: SID DATE: 11-13-09  
CHK: *[Signature]* REV:

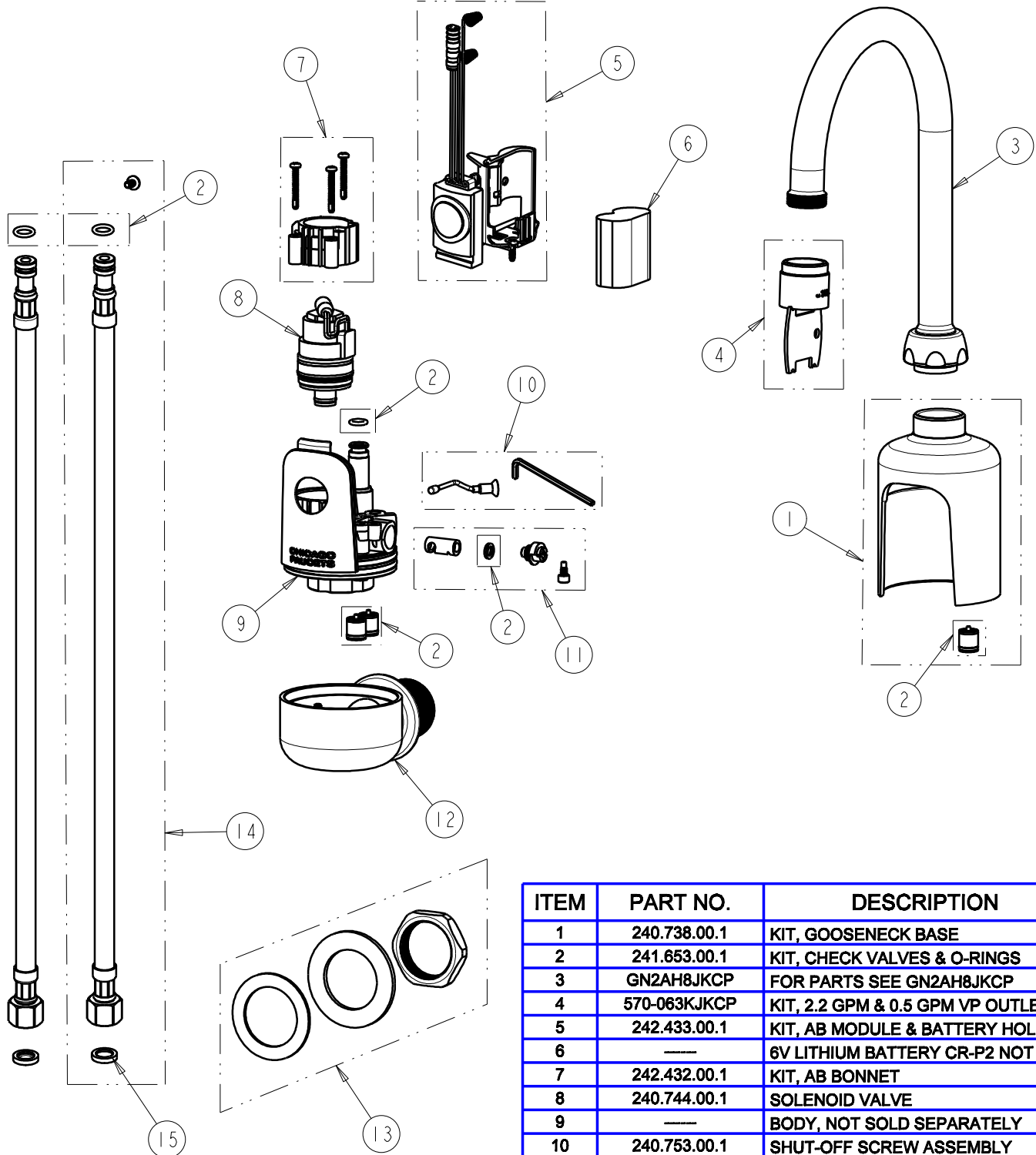
FITTING NO.

116.214.AB.1

SUBMITTED MODEL NO.

ITEM NO.

**FOR TECHNICAL ASSISTANCE**  
1-800-TEC-TRUE (1-800-832-8783)



ITEM	PART NO.	DESCRIPTION
1	240.738.00.1	KIT, GOOSENECK BASE
2	241.653.00.1	KIT, CHECK VALVES & O-RINGS
3	GN2AH8JKCP	FOR PARTS SEE GN2AH8JKCP
4	570-063JKCP	KIT, 2.2 GPM & 0.5 GPM VP OUTLET
5	242.433.00.1	KIT, AB MODULE & BATTERY HOLDER
6	---	6V LITHIUM BATTERY CR-P2 NOT SOLD
7	242.432.00.1	KIT, AB BONNET
8	240.744.00.1	SOLENOID VALVE
9	---	BODY, NOT SOLD SEPARATELY
10	240.753.00.1	SHUT-OFF SCREW ASSEMBLY
11	240.746.00.1	KIT, MIXER
12	---	BASE, NOT SOLD SEPARATELY
13	241.589.00.1	KIT, WALL MOUNTING HARDWARE
14	240.693.00.1	KIT, SS BRAIDED HOSE (QTY 1)
15	3300-005JKNF	FILTER/SCREEN