

CHICAGO FAUCETS
a Geberit company

2100 South Clearwater Drive
Des Plaines, IL 60018
Phone: 847-803-5000
Fax: 847-803-5454
www.chicagofaucets.com

REPAIR PARTS

FITTING NO.

116.858.AB.1

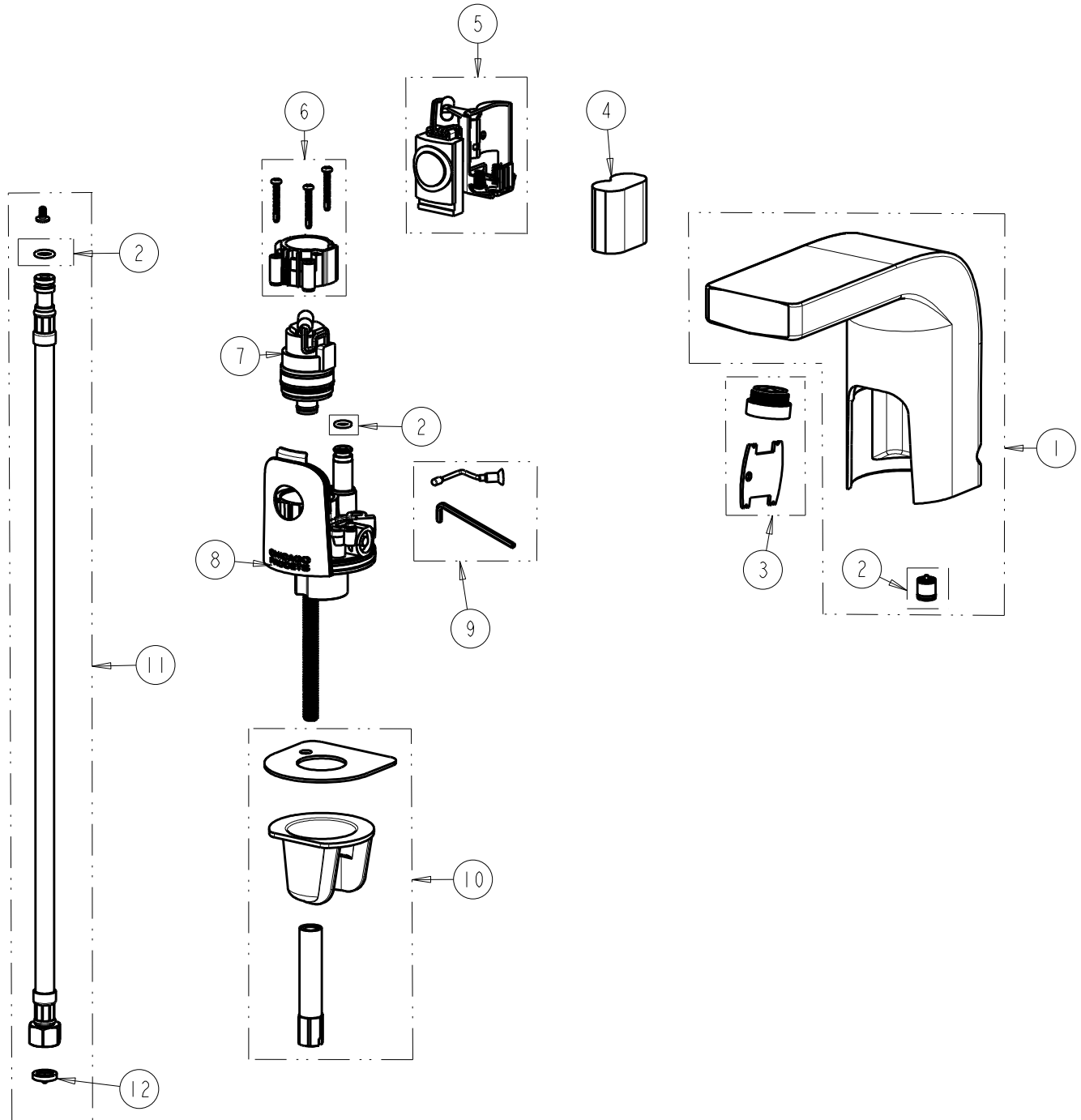
SUBMITTED MODEL NO.

BY: JAR DATE: 08-21-12

CHK: REV:

ITEM NO.

FOR TECHNICAL ASSISTANCE
1-800-TEC-TRUE (1-800-832-8783)



ITEM	PART NO.	DESCRIPTION	ITEM	PART NO.	DESCRIPTION
1	242.754.AB.1	KIT, LAVATORY SPOUT	8	—	BODY, NOT SOLD SEPARATELY
2	241.653.00.1	KIT, CHECK VALVES & O-RINGS	9	240.753.00.1	SHUT-OFF SCREW ASSEMBLY
3	570-064KJKCP	KIT, 2.2 GPM & 0.5 GPM VP OUTLET	10	242.835.00.1	KIT, DECK MOUNTING HARDWARE
4	—	6V LITHIUM BATTERY CR-P2 NOT SOLD	11	240.693.00.1	KIT, SS BRAIDED HOSE (QTY 1)
5	242.433.00.1	KIT, AB MODULE & BATTERY HOLDER	12	3300-005JKNF	FILTER/SCREEN
6	242.432.00.1	KIT, AB BONNET			
7	240.744.00.1	SOLENOID VALVE			