

**CHICAGO FAUCETS**  
a Geberit company

2100 South Clearwater Drive  
Des Plaines, IL 60018  
Phone: 847-803-5000  
Fax: 847-803-5454  
www.chicagofaucets.com

**REPAIR PARTS**

FITTING NO.

**116.969.AB.1**

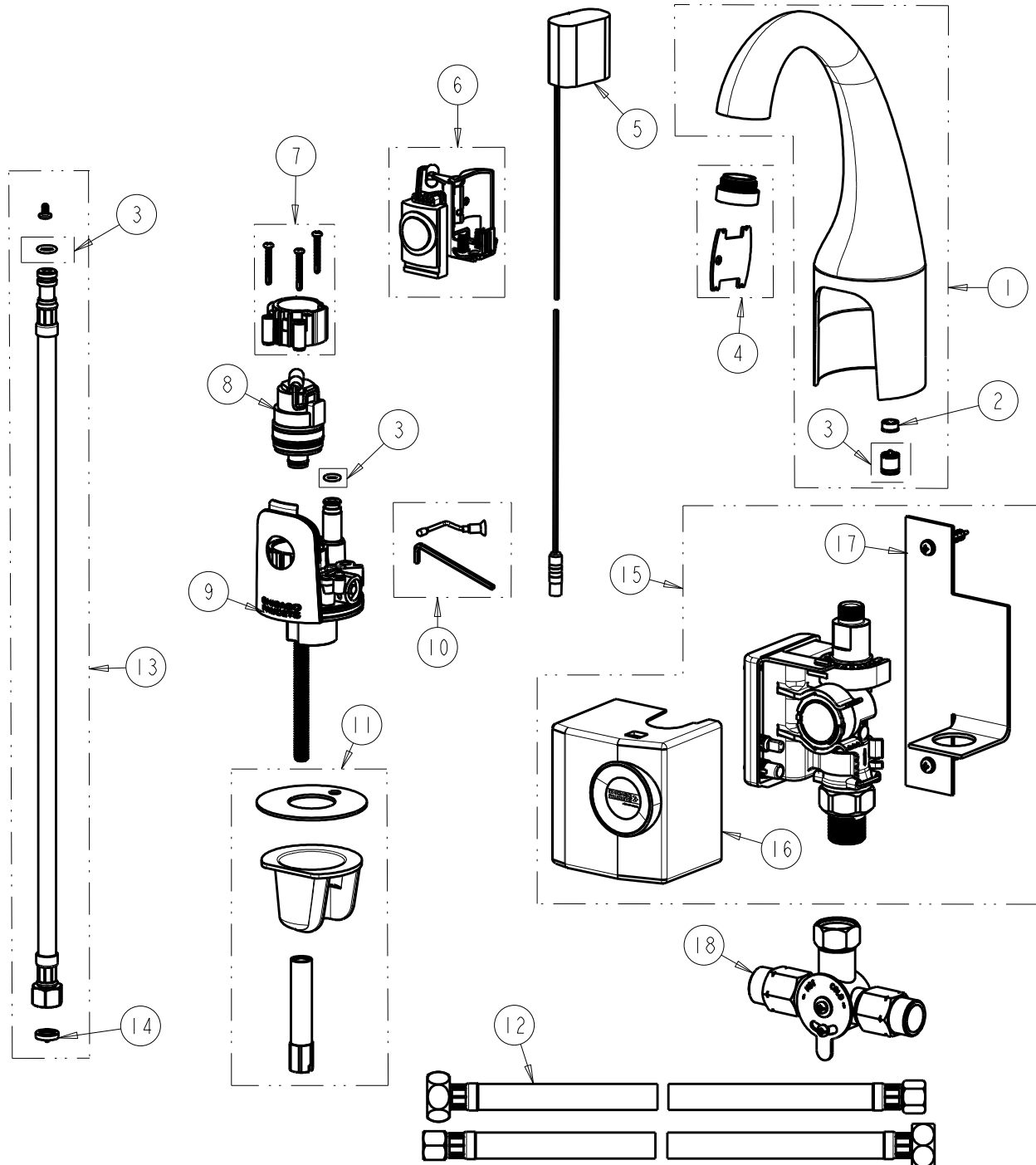
SUBMITTED MODEL NO.

ITEM NO.

**FOR TECHNICAL ASSISTANCE**  
**1-800-TEC-TRUE (1-800-832-8783)**

BY: JAR DATE: 07-11-12

CHK: REV:



| ITEM | PART NO.     | DESCRIPTION                       | ITEM | PART NO.     | DESCRIPTION                       |
|------|--------------|-----------------------------------|------|--------------|-----------------------------------|
| 1    | 242.815.AB.1 | KIT, GOOSENECK SPOUT w/FC 1.0 GPM | 10   | 240.753.00.1 | SHUT-OFF SCREW ASSEMBLY           |
| 2    | 1020-005JKNF | FLOW CONTROL 1.0 GPM MAX          | 11   | 240.745.00.1 | KIT, DECK MOUNTING HARDWARE       |
| 3    | 241.653.00.1 | KIT, CHECK VALVES & O-RINGS       | 12   | ----         | HOSE, 1/2" IPS x 3/8" COM x 18" L |
| 4    | 242.802.AB.1 | KIT, FLOW STRAIGHTENER            | 13   | 240.693.00.1 | KIT, SS BRAIDED HOSE (QTY 1)      |
| 5    | 242.568.00.1 | GREEN POWER ADAPTER               | 14   | 3300-005JKNF | FILTER/SCREEN                     |
| 6    | 242.574.00.1 | KIT, MODULE TURBINE HYTRONIC      | 15   | 242.749.00.1 | GENERATOR, COMPLETE UNIT          |
| 7    | 242.432.00.1 | KIT, AB BONNET                    | 16   | 242.750.00.1 | COVER, SSPS US                    |
| 8    | 240.744.00.1 | SOLENOID VALVE                    | 17   | 242.751.00.1 | KIT, WALL MOUNTING SSPS US        |
| 9    | ----         | BODY, NOT SOLD SEPARATELY         | 18   | 242.165.AB.1 | CONCEALED MIXING ASSEMBLY         |