

PARTS LIST



FINISH:

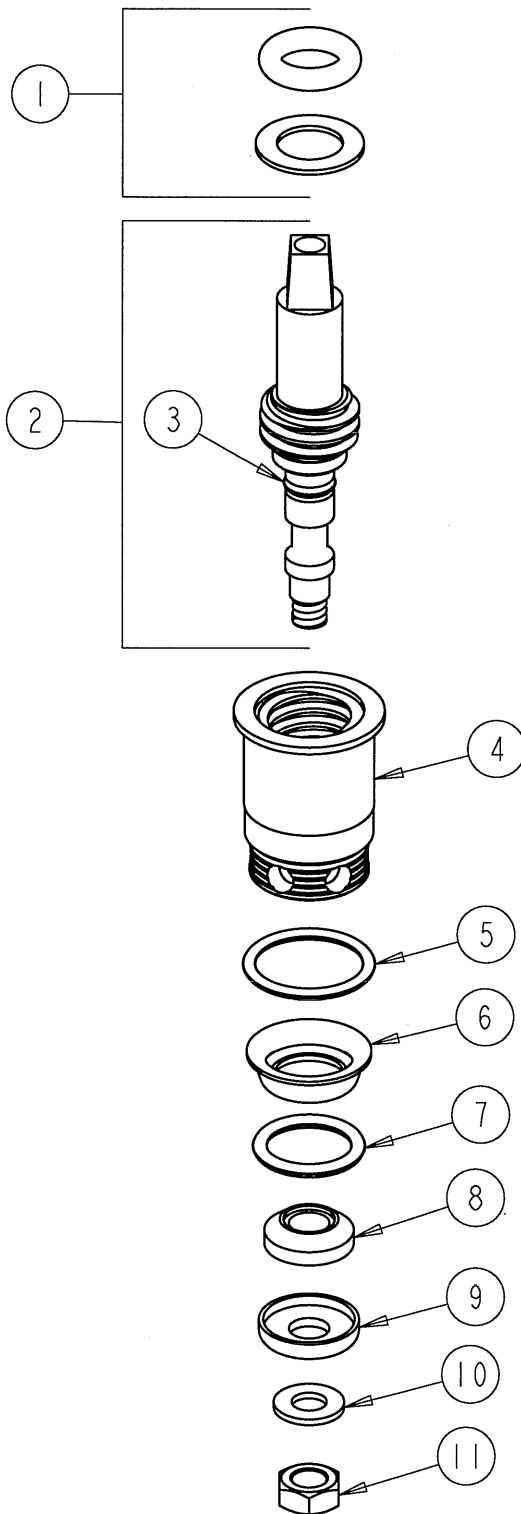
NO FINISH

DATE:

2-20-97

217XTLH

LEFT HAND CARTRIDGE



ITEM NO.	PART NO.	DESCRIPTION	ITEM NO.	PART NO.	DESCRIPTION
1	93-131	PACKING	7	1-328	O-RING
2	1-314K	LH STEM ASSEMBLY	8	1-021	SEAT WASHER
3	1-219	O-RING	9	1-022	RETAINER
4	317-102	LH SLEEVE	10	1-031	STEM WASHER
5	2-043	O-RING	11	333-097	STEM NUT
6	1-327	MONEL SEAT			