

**CHICAGO FAUCETS**  
a Geberit company

2100 South Clearwater Drive  
Des Plaines, IL 60018  
Phone: 847-803-5000  
Fax: 847-803-5454  
www.chicagofaucets.com

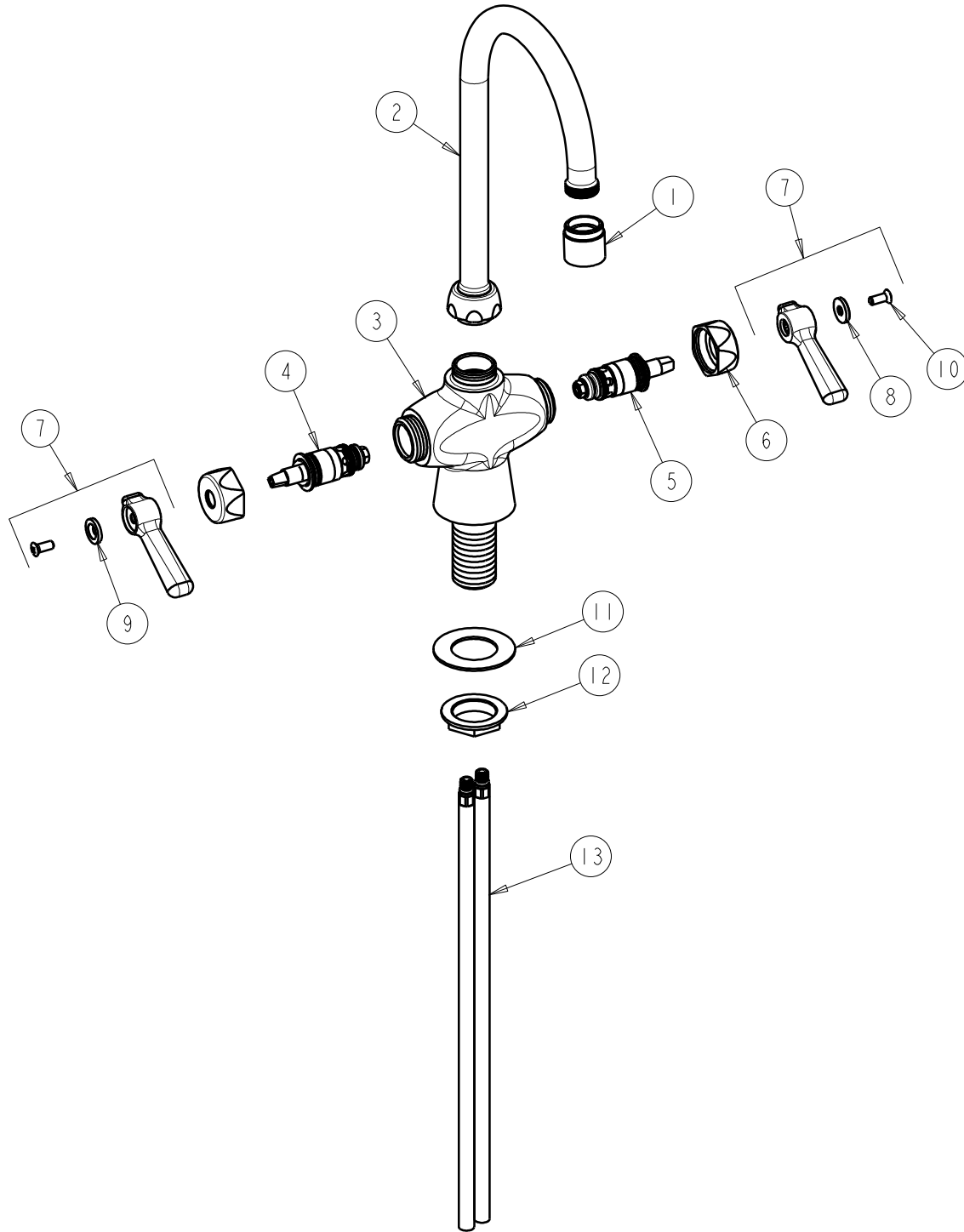
**REPAIR PARTS**

BY: SID DATE: 05-13-09  
CHK: *[Signature]* REV:

FITTING NO.  
**50-VPAABCP**  
SUBMITTED MODEL NO.

**FOR TECHNICAL ASSISTANCE**  
1-800-TEC-TRUE (1-800-832-8783)

ITEM NO.



ITEM	PART NO.	DESCRIPTION	ITEM	PART NO.	DESCRIPTION
1	E3VPJKCP	V.R. SOFTFLO AERATOR W/ V.R. KEY	8	633-123JKNF	INDEX BUTTON (BLUE)
2	GN2AJKCP	FOR PARTS SEE GN2AJKCP	9	633-023JKNF	INDEX BUTTON (RED)
3	-----	VALVE BODY (NOT SOLD SEPARATELY)	10	420-010JKRCF	SCREW, 10-32 UNC PH 1/2
4	AB1-100XTJKNF	QUATURN UNIT (LH)	11	50-014JKNF	STEEL WASHER
5	AB1-099XTJKNF	QUATURN UNIT (RH)	12	50-003JKRBF	LOCKNUT
6	444-005JKCP	CAP	13	50-101KJKNF	SUPPLY TUBE ASSEMBLY
7	369-PRJKCP	LEVER HANDLE ASSEMBLY (PAIR)			