

CHICAGO FAUCETS
a Geberit company

2100 South Clearwater Drive
Des Plaines, IL 60018
Phone: 847-803-5000
Fax: 847-803-5454
www.chicagofaucets.com

REPAIR PARTS

FITTING NO.

526-E2CP

SUBMITTED MODEL NO.

ITEM NO.

BY: JAR

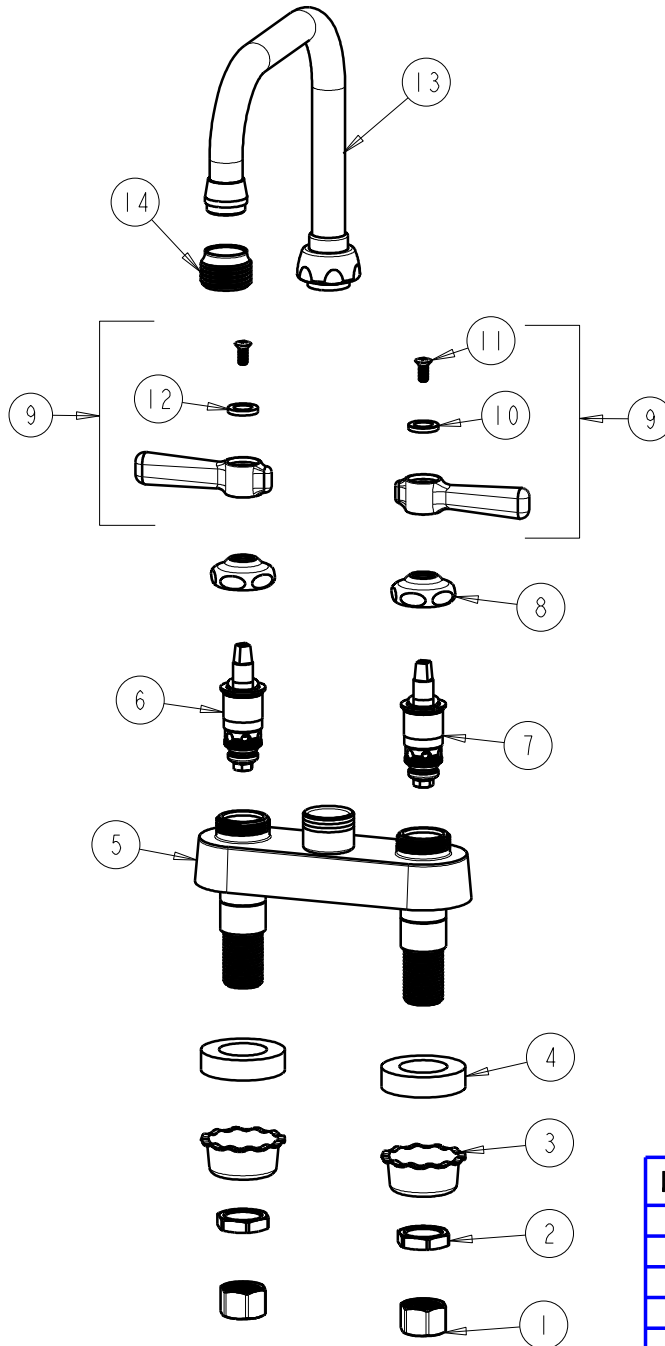
DATE: 11-16-09

CHK: *JAR*

REV:

FOR TECHNICAL ASSISTANCE
1-800-TEC-TRUE (1-800-832-8783)

NOTE:
ITEMS 13 AND 14 ARE ADHESIVED TOGETHER AT THE
FACTORY BUT ARE AVAILABLE AS REPLACEMENT PARTS.



ITEM	PART NO.	DESCRIPTION
1	49-005JKRBF	COUPLING NUT
2	49-004JKRBF	LOCKNUT
3	1797-114JKNF	BASIN COCK WASHER
4	555-313JKNF	WASHER
5	—	VALVE BODY (NOT SOLD SEPARATELY)
6	1-100XTJKNF	QUATURN UNIT (LH)
7	1-099XTJKNF	QUATURN UNIT (RH)
8	1-214JKCP	CAP
9	369-PRJKCP	LEVER HANDLE ASSEMBLY (PAIR)
10	633-123JKNF	INDEX BUTTON (BLUE)
11	420-010JKRCF	SCREW, 10-32 UNC PH 1/2
12	633-023JKNF	INDEX BUTTON (RED)
13	DB6AJKCP	FOR PARTS SEE DB6AJKCP
14	E2JKRCF	HOSE END