

CHICAGO FAUCETS
a Geberit company

2100 South Clearwater Drive
Des Plaines, IL 60018
Phone: 847-803-5000
Fax: 847-803-5454
www.chicagofaucets.com

REPAIR PARTS

FITTING NO.

809-317XKCP

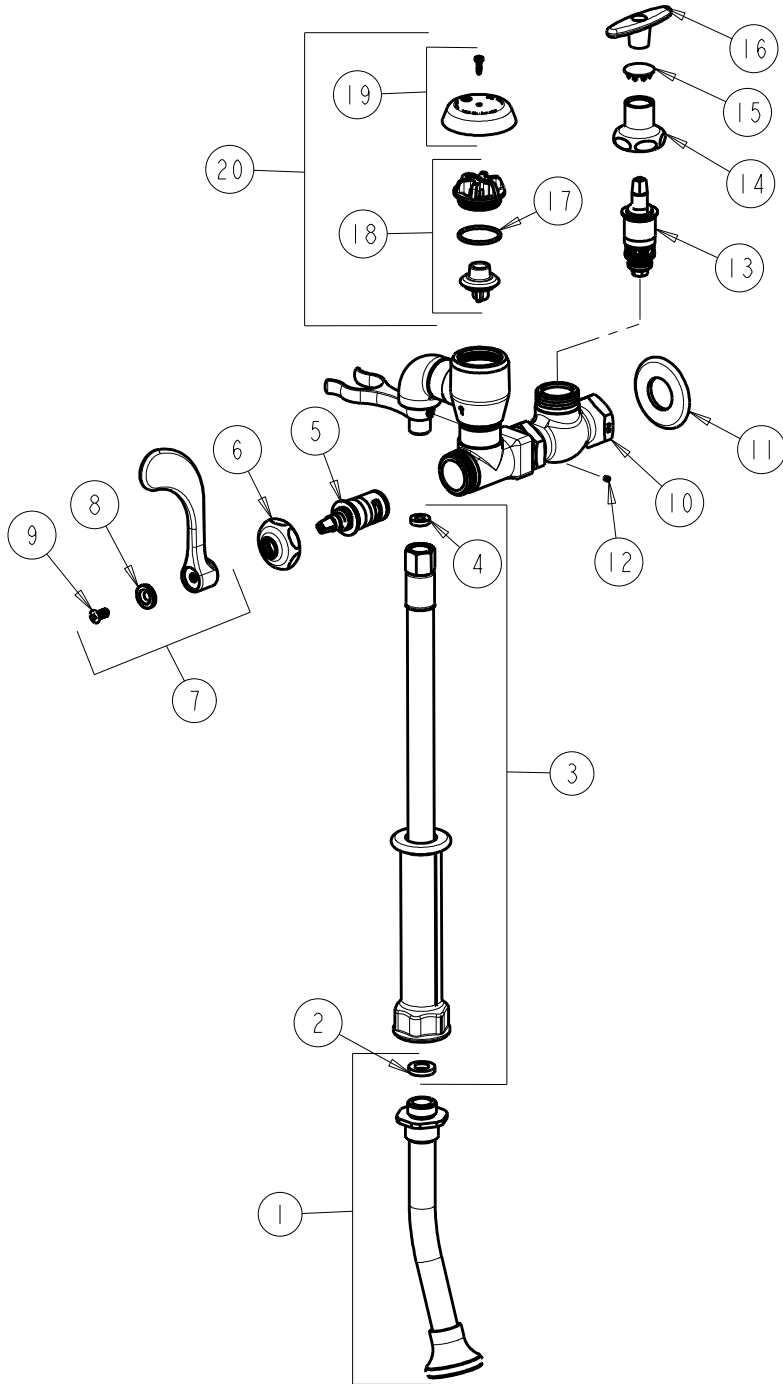
SUBMITTED MODEL NO.

ITEM NO.

FOR TECHNICAL ASSISTANCE
1-800-TEC-TRUE (1-800-832-8783)

BY: SID DATE: 05-21-12

CHK: *[Signature]* REV:



ITEM	PART NO.	DESCRIPTION	ITEM	PART NO.	DESCRIPTION
1	777-019JKCP	SPRAY, ANGLED NOZZLE W/ WASHER	11	417-019JKCP	FLANGE, 1.94 X .88 X .11
2	919-243JKNF	GASKET, .685 X .375 X .125	12	777-013JKNF	SCREW, SET 6-32 X 1/8
3	739-053KJKNF	HOSE, WHITE VINYL 53" W/ WASHERS	13	217-XTLHJKNF	CARTRIDGE, SLO-COMPRESSION (LH)
4	739-051JKNF	GASKET, 1/2 X 1/4 X 1/8	14	1-246JKCP	NUT, CAP LOOSE KEY 1-1/8-18 UNEF
5	1-099XKJKNF	RH CERAMIC CARTRIDGE	15	1-144JKCP	BUTTON
6	1-214JKCP	CAP	16	293-006JKRCF	TEE HANDLE (INCLUDES SCREW)
7	317-COLDJKCP	WRISTBLADE HANDLE	17	80-007JKNF	O RING 0.989 X .070
8	633-123JKNF	INDEX BUTTON (BLUE)	18	892-302KJKNF	VACUUM BREAKER REPAIR KIT
9	420-010JKRCF	SCREW, 10-32 UNC PH 1/2	19	892-254KJKCP	VACUUM BREAKER COVER w/SCREW
10	---	VALVE BODY (NOT SOLD SEPARATELY)	20	892-402KJKNF	KIT, VACUUM BREAKER ASSEMBLY