



a Geberit company

2100 South Clearwater Drive
Des Plaines, IL 60018
Phone: 847-803-5000
Fax: 847-803-5454
www.chicagofaucets.com

REPAIR PARTS

BY: JAR DATE: 01-11-13

CHK: *[Signature]* REV:

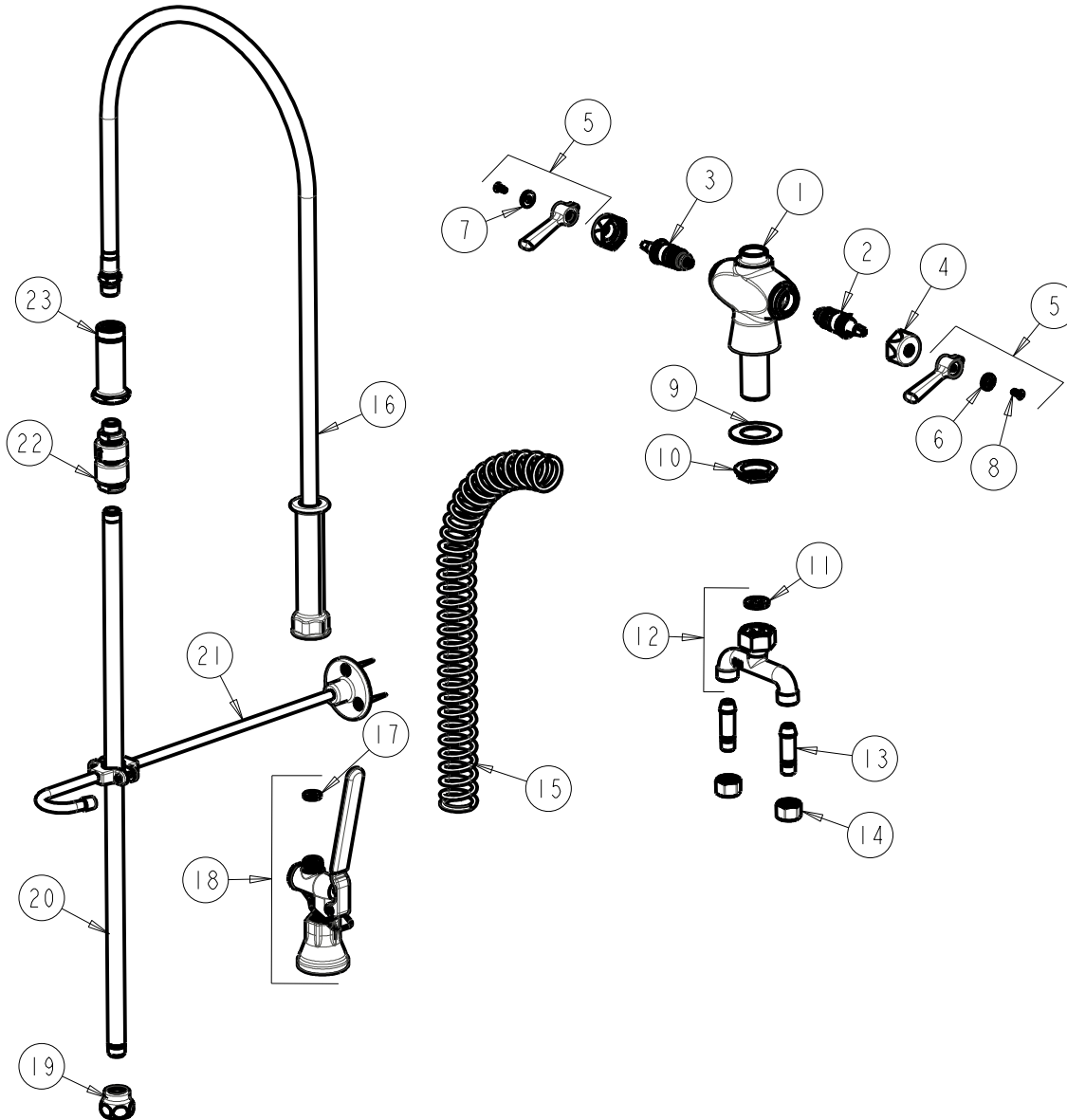
FITTING NO.

919-LVBABCP

SUBMITTED MODEL NO.

ITEM NO.

FOR TECHNICAL ASSISTANCE
1-800-TEC-TRUE (1-800-832-8783)



ITEM	PART NO.	DESCRIPTION	ITEM	PART NO.	DESCRIPTION
1	-----	VALVE BODY (NOT SOLD SEPARATELY)	13	58-018JKABRBF	TAIL PIECE ASSEMBLY
2	1-099XTJKABNF	QUATURN CARTRIDGE (RH)	14	49-005JKRBF	COUPLING NUT
3	1-100XTJKABNF	QUATURN CARTRIDGE (LH)	15	919-014JKCP	SPRING
4	444-005JKCP	CAP	16	83-44ABNF	44" HOSE AND HANDLE ASSEMBLY
5	369-PRJKCP	LEVER HANDLE ASSEMBLY (PAIR)	17	919-243JKNF	GASKET, .685 X .375 X .125
6	633-123JKNF	INDEX BUTTON (BLUE)	18	90-LABCP	PRE-RINSE VALVE, LOW FLOW
7	633-023JKNF	INDEX BUTTON (RED)	19	BA2JKABCP	ADAPTER 3/8 NPT X 1 1/16-18 UNEF
8	420-010JKRCF	SCREW, 10-32 UNC PH 1/2	20	919-039JKABCP	3/8" NPT X 23" RISER
9	50-014JKNF	STEEL WASHER	21	902-MHJKCP	PIPE STRAP AND HOOK ASSEMBLY
10	50-003JKRBF	LOCKNUT	22	E23JKABCP	BACK-FLOW PREVENTER
11	50-008JKNF	RUBBER WASHER	23	AB919-038CP	GUIDE SHANK
12	50-010JKRBF	TEE CONNECTION ASSEMBLY			