

### Product Type

ECAST® Thermostatic Mixing Valve (for 1 to 8 fittings)

### Features & Specifications

- Standard 1/2" NPT threaded inlet and outlet union connections
- Integral inlet check valves to protect against cross-flow
- Adjustment cap with locking feature
- Bronze Body Construction
- Double throttling design to control both hot and cold water supply to the mixed outlet
- Corrosion resistant internal components
- Solid wax hydraulic principle thermostat
- Thermostat controls both hot and cold water
- Installs between the stop valves and faucet
- Inlet filter washers to filter out debris
- Single use or multiple faucet installations
- ECAST® design provides durable brass construction with total lead content equal to or less than 0.25% by weighted average
- CFNow! Item Ships in 5 Days

### Codes & Standards

- ASME A112.18.1/CSA B125.1
- ASSE 1017
- ASSE 1069
- ASSE 1070
- California Health and Safety Code 116875 (AB1953-2006)
- Vermont Bill S.152
- NSF/ANSI 372 Low Lead Content

Job Name \_\_\_\_\_

Item Number \_\_\_\_\_

Section/Tag \_\_\_\_\_

Model Specified \_\_\_\_\_

Architect \_\_\_\_\_

Engineer \_\_\_\_\_

Contractor \_\_\_\_\_

Submitted as Shown       Submitted with Variations

Date \_\_\_\_\_



### ECAST

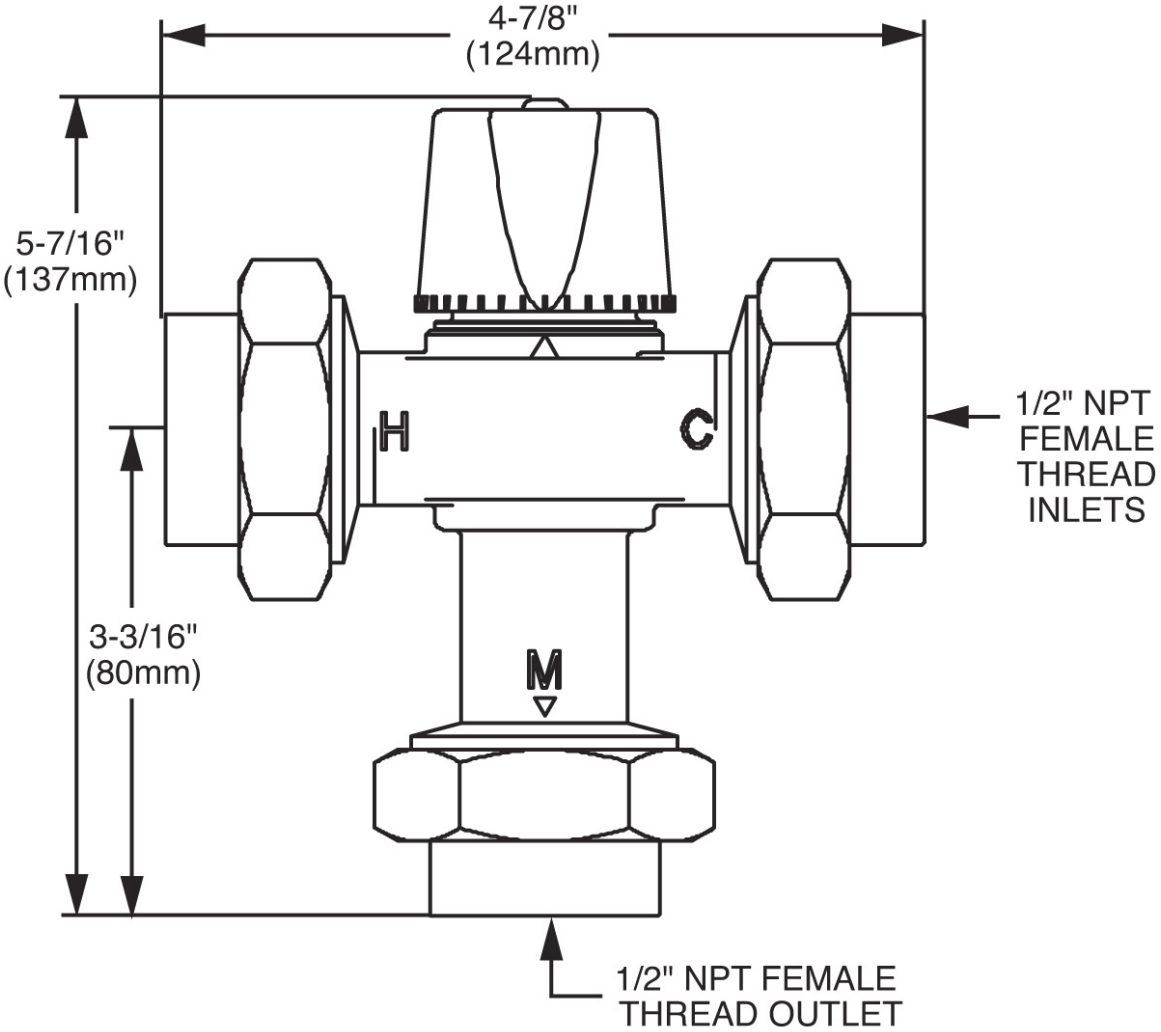
ECAST products are intended for installation where state laws and local codes mandate lead content levels or in any location where lead content is a concern.



2100 South Clearwater Drive  
Des Plaines, IL  
P: 847/803-5000  
F: 847/803-5454  
Technical: 800/TEC-TRUE  
www.chicagofaucets.com

**Architect/Engineer Specification**

Chicago Faucets No. 122-ABNF, ECAST® Thermostatic Mixing Valve (for 1 to 8 fittings). Standard 1/2" NPT threaded inlet and outlet union connections. Integral inlet check valves to protect against cross-flow. Adjustment cap with locking feature. Bronze Body Construction. Double throttling design to control both hot and cold water supply to the mixed outlet. Corrosion resistant internal components. Solid wax hydraulic principle thermostat. Thermostat controls both hot and cold water. Installs between the stop valves and faucet. Inlet filter washers to filter out debris. Single use or multiple faucet installations. ECAST® construction with less than 0.25% lead content by weighted average. This product is tested and certified to industry standards: ASME A112.18.1/CSA B125.1, ASSE 1017, ASSE 1069, ASSE 1070, California Health and Safety Code 116875 (AB1953-2006), Vermont Bill S.152, and NSF/ANSI 372 Low Lead Content.



**Operation and Maintenance**

Installation should be in accordance with local plumbing codes. Flush all pipes thoroughly before installation. After installation, remove spout outlet or flow control and flush faucet thoroughly to clear any debris. Care should be taken when cleaning the product. Do not use abrasive cleaners, chemicals or solvents as they can result in surface damage. Use mild soap and warm water for cleaning and protecting the life of Chicago Faucet products. For specific operation and maintenance refer to the installation instructions and repair parts documents that are located at [www.chicagofaucets.com](http://www.chicagofaucets.com).

Chicago Faucets, member of the Geberit Group, is the leading brand of commercial faucets and fittings in the United States, offering a complete range of products for schools, laboratories, hospitals, office buildings, food service, airports and sport facilities. Call 1.800.TECTRUE or 1.847.803.5000 Option 1 for installation or other technical assistance.



2100 South Clearwater Drive  
Des Plaines, IL  
P: 847/803-5000  
F: 847/803-5454  
Technical: 800/TEC-TRUE  
[www.chicagofaucets.com](http://www.chicagofaucets.com)