



A Moen Incorporated Brand



**Models:**  
**40616 series less side spray**  
**40618 series with side spray**



## Two Handle Kitchen Faucet

### DESCRIPTION

- Metal construction with various finishes identified by suffix
- Available with matching side spray
- Hose reach 36", hose length 48"
- 1/2" IPS connections
- Six (6) individual boxes per master carton

### OPERATION

- Lever-style handles
- Hot side: Turn counterclockwise to open (clockwise to close)
- Cold side: Turn clockwise to open (counterclockwise to close)
- Will operate with less than 5 lbs. of torque
- No grasping motion required to operate the faucet handles

### FLOW

- Aerator limited to 1.5 gpm max (5.7L/min)

### CARTRIDGE

- Ceramic disc technology
- Non-metallic, non-ferrous, and brass material
- Single body construction for easy replacement

### STANDARDS

- Third party certified to IAPMO Green, ASME A112.18.1/ CSA B125.1 and all applicable requirements referenced therein including NSF 61/9
- Meets Calgreen and Georgia SB370 requirements
- Contains no more than 0.25% weighted average lead content
- Complies with California Proposition 65 and with the Federal Safe Drinking Water Act

- **ADA** for lever handle

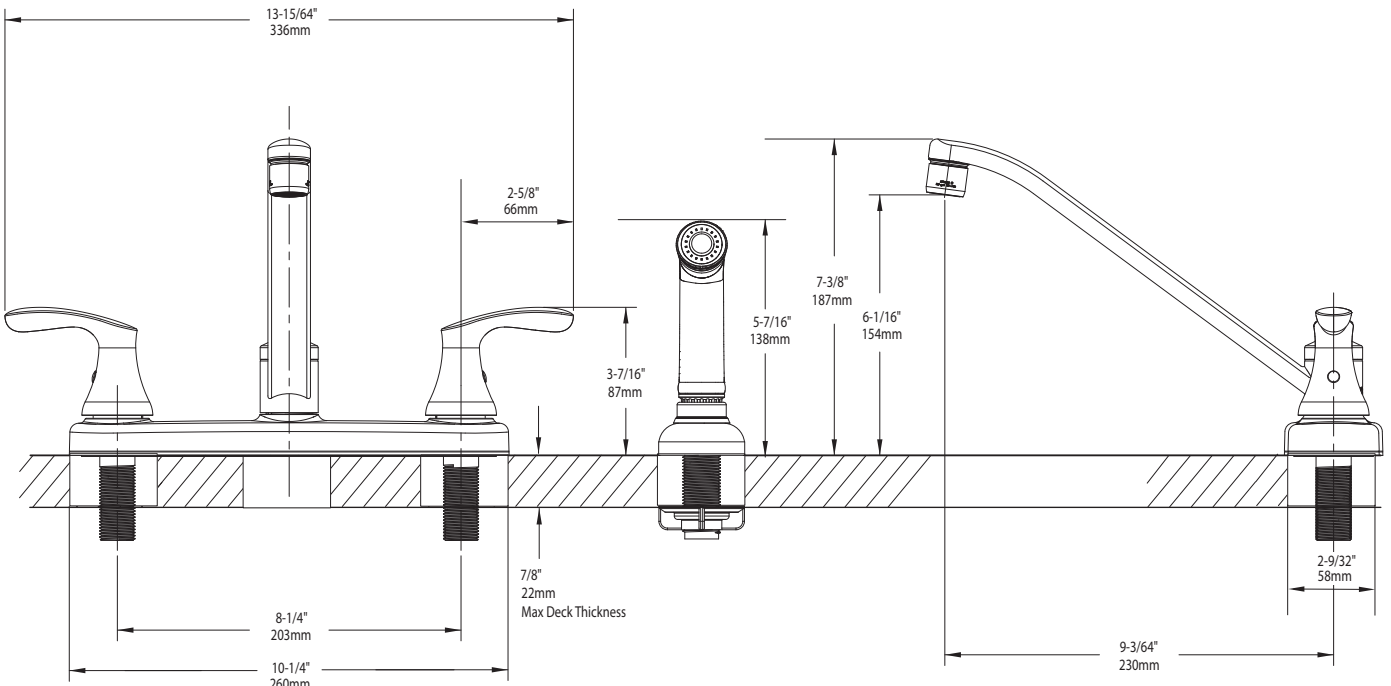
- Features red/blue hot/cold temperature indicators

### WARRANTY – RESIDENTIAL, COMMERCIAL

- Ten year limited warranty against defects in materials and manufacturing workmanship
- Refer to the installation instructions enclosed with each CFG product or call 1-888-450-5522 for complete warranty information

### CRITICAL DIMENSIONS

- This faucet designed to be installed through 4 holes, 1-1/4" minimum diameter, 8" centers
- Maximum deck thickness 1-1/8" (29mm)



## CRITICAL DIMENSIONS

(DO NOT SCALE)