

Eco Galaxy/Cranada™ 31007

Round Front, Gravity Force, 12" [305 mm]
Rough-in, Dual Flush, Two-Piece Toilet



Features

- Environmentally Friendly
- High Efficiency 1.1 gpf / 4.0 lpf or 1.6 gpf / 6.0 lpf
- Qualifies for One [1] LEED Point
- G²™ Gravity force, Dual Flush Flushing Technology
- Tower Style Flapperless Flush Valve
- Pilot Operated Fill Valve
- Large Water Surface Area
- 12" [305 mm] Rough-in
- 2" [51 mm] Fully Glazed Trapway
- Side Mount, Left Hand, Polished Chrome, Dual, Push Button Actuator
- Sanitary Bar for Easy Cleaning
- Available in White, Bone and Biscuit
- Limited Lifetime Warranty



Shown with 8085 "Lift 'n' Clean" Toilet Seat

Model

Description

31007	Round front, two-piece, gravity force, dual flush toilet combination, 12" [305 mm] rough-in. Includes tank trim and side mount, left hand, polished chrome, dual, push button actuator. Less toilet seat and supply.
3352	Round front toilet bowl only. 12" [305 mm] rough-in. Less toilet seat.
31590	Gravity force, dual flush tank and lid only with tank trim and side mount, left hand, polished chrome, dual, push button actuator. Less supply.

Optional Tanks

31593	Same as 31590, except with insulated tank liner.
-------	--

Optional Toilet Seat

8085	Round, "Lift 'n' Clean", heavy-duty plastic, toilet seat
------	--



Approved
Los Angeles Department of
Water and Power

The Green Building / LEED programs was created to provide contractors, building engineers, developers and architects with incentives or rewards for utilizing energy saving and water conservation products in the construction or renovation of their buildings. The LEED program provides points or credits that can be used to offset elements of the construction that would be debits against the property. Using a 1.6 gpf / 6.0 lpf toilets as the baseline, a HET toilet or HEU urinal that has a minimum average water savings of 20% can earn one [1] LEED point, or a minimum water savings of 32% can earn two [2] LEED points.

This fixture qualifies according to ASME test procedures as a high efficiency toilet (HET) with an average consumption of 1.28 gpf / 4.8 lpf or less with a minimum water savings of 20%.

Specifications

Water Pressure Range: 20 to 80 P.S.I.

Flush System: G²™ Flushing Technology

Water Usage: 1.1 gpf/4.0 lpf or 1.6 gpf/6.0 lpf

Water Surface Area: 9" x 7"

[227 mm x 178 mm]

Trap Diameter: 2" [51 mm]

Water Seal: 2-5/8" [67 mm]

Shipping Cubes:

3352 Bowl: 2.9 ft³ [.08 m³]

31590 Tank: 1.7 ft³ [.05 m³]

Shipping Weight:

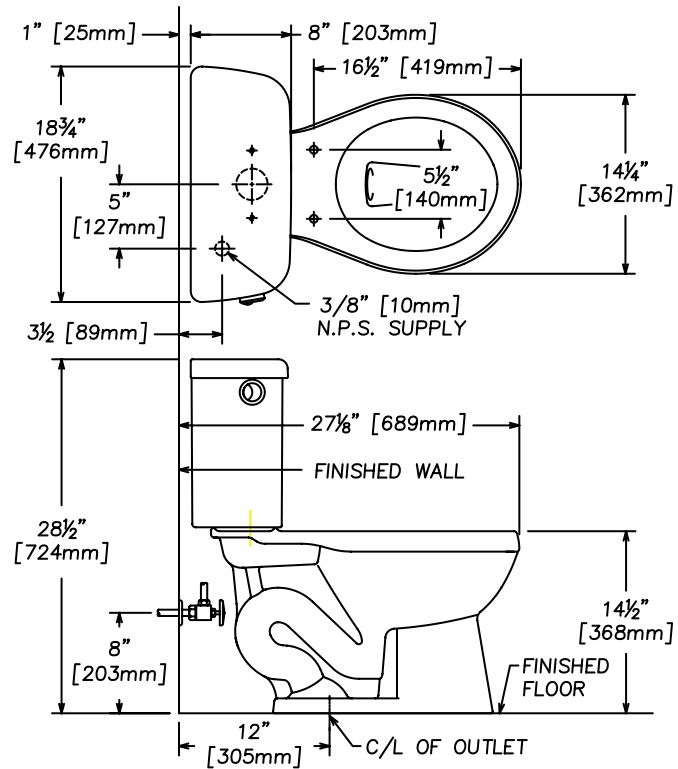
3352 Bowl: 41 lbs. [19 kg]

31590 Tank: 36 lbs. [16 kg]

Warranty:

Vitreous China - Limited Lifetime

Tank Trim - Limited One Year



IMPORTANT: These dimensions are nominal and may vary within the range of tolerances established by ASME Standard A112.19.2

Features and Upgrades



P030177
Pilot operated fill valve



P030901
EasyTouch™, wire-driven flush valve



P030950
Dual, push button actuator
Available in Polished Chrome [068] finish only.



8085
Round "Lift 'n' Clean" toilet seat.
Seat can be removed quickly for ease of cleaning.

Customer Service United States
41 Cairns Road
Mansfield, OH 44903
Email: customerservice@cranepumbing.com

Customer Service Canada
15 Crane Ave.
Stratford, ON N5A 6T3
Email: sales@cranepumbing.ca

www.cranepumbing.com

www.cranepumbing.ca