

## MANHATTAN ELONGATED FRONT TOILET

### US31362

- Made in U.S.A
- Vitreous china
- Low-consumption (6.0 Lpf/1.6 gpf)
- Features HemiFlush™ High-Power Flushing System
- 3" flush valve
- Siphon action jetted bowl
- 2" fully-glazed trapway
- Chrome-plated trip lever
- 2 bolt caps
- 5 year warranty

Made In U.S.A.



### US31202 Bowl

### US31242 Tank

### Nominal Dimensions:

743 x 514 x 737mm

(29-1/4" x 20-1/4" x 29")

Fixture only, seat and supply by others

### Trapway:

51mm (2")

### Water Surface:

248 x 203mm (9-3/4" x 8")

### Water Seal:

57mm (2-1/4")

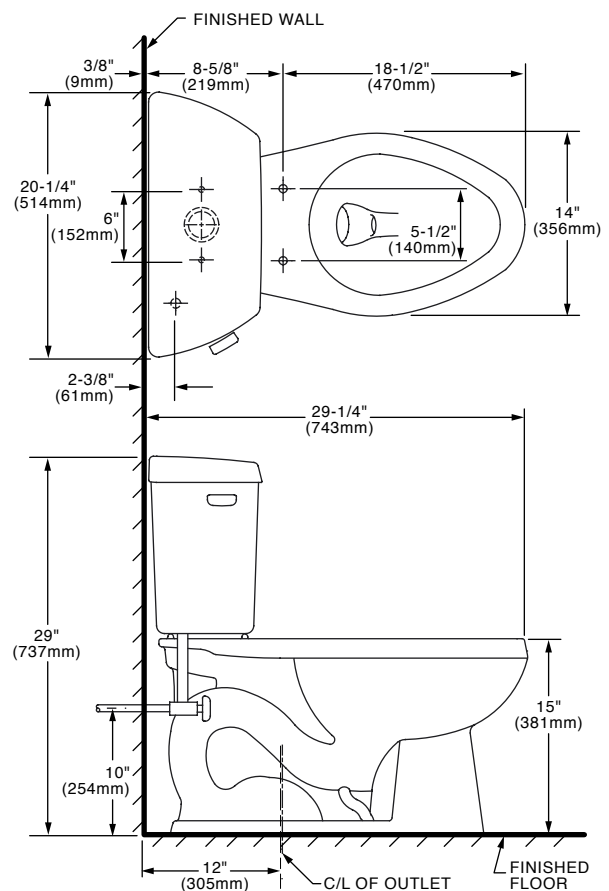
### Compliance Certifications -

#### Meets or Exceeds the Following Specifications:

- ASME A112.19.2M for Vitreous China Fixtures - includes Flush Performance, Ball Pass Diameter, Trap Seal Depth and all Dimensions
- Los Angeles Department of Water and Power Supplementary Purchase Specification for Non-Adjustability - July, 2003 revision

### To Be Specified:

- Color:
  - White
- Seat:
  - Lift 'n' Clean™ Elongated Toilet Seat #8080
- Supply with stop:



### NOTES:

THIS TOILET IS DESIGNED TO ROUGH-IN AT A MINIMUM DIMENSION OF 305MM (12") FROM FINISHED WALL TO C/L OF OUTLET. SUPPLY NOT INCLUDED WITH FIXTURE AND MUST BE ORDERED SEPARATELY. \* DIMENSION SHOWN FOR LOCATION OF SUPPLY IS SUGGESTED.

**IMPORTANT:** Dimensions of fixtures are nominal and may vary within the range of tolerances established by ANSI Standard A112.19.2. These measurements are subject to change or cancellation. No responsibility is assumed for use of superseded or voided pages.