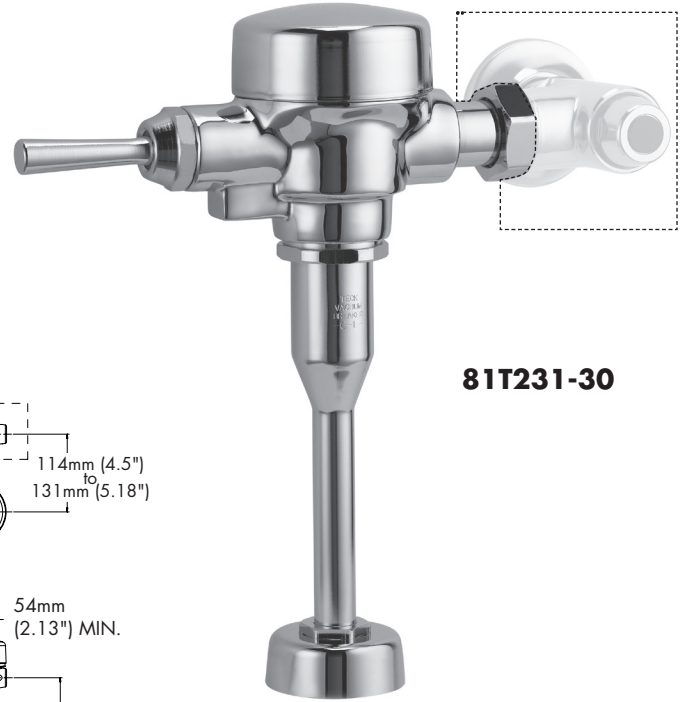


Specification: (example)

**(FOR TOP INLET URINAL FIXTURE)
LESS STOP, WITH MODIFIED TAIL TO FIT SLOAN®/ZURN®
STOP**

- Quiet action, TECK® exposed diaphragm flush valve
- Chloramine resistant diaphragm
- Forged brass diaphragm retainer
- Renewable seat
- Polished chrome plated finish
- **External water conserving flush volume adjustment**, factory set at 60 PSI to 1.9 litre (0.50 US gal.)
- Vandal resistant cover screw
- Metal "non hold open" handle
- Adjustable 114mm (4.5") to 131mm (5.18") inlet/valve outlet centers
- Vacuum breaker
- Spud flange and spud nut



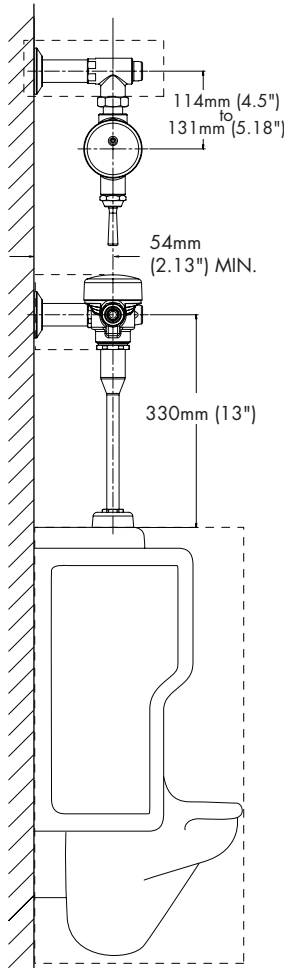
81T231-30

FOR 3/4" TOP INLET URINAL FIXTURE

- 81T231-30**
As above
- 81T231-30-38**
Same as 81T231-30, but set at 60 PSI to 3.8 litre (1.0 US gal.), **Not Field Adjustable**
- 81T231-30-19**
Same as 81T231-30, **Not Field Adjustable**
- 81T231-30-05**
Same as 81T231-30, but set at 60 PSI to 0.5 litre (0.13 US gal.), **Not Field Adjustable**

**OPTIONS AVAILABLE
(for Field Conversion):**

- 060253A**
3/4" x 19-1/2" VB Tube (for 81T231 Series)



*Items shown outlined
by dotted lines supplied
by others.*



Approvals:

- CSA certified
 - Complies to ASSE 1037
 - ADA compliant and meets Handicapped Accessibility Standard ASME A117.1 of less than 5 lbs. operating force.
- (Contact Delta Representative for State and/or Local Approvals.)



Engineer/Architect Approval

Model Specified:

Approval:

Date:

Note: Measurements may vary ± 6mm (0.25")

Note: For high and low pressure applications, please see page FEA-81T High Water Pressure note for more details.
Verify flow requirements with bowl manufacturer.