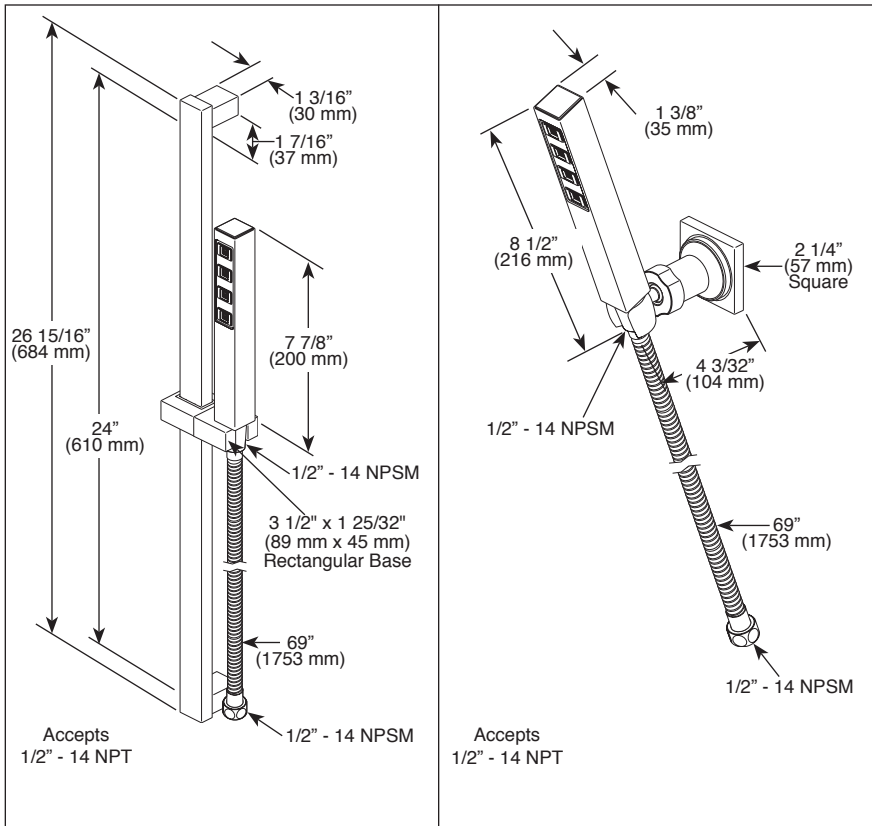


55567▲

51567▲

Submitted Model No.: _____

Specific Features: _____



▲ Designate proper finish suffix

Spray Pattern



H₂Okinetic Spray

- ◆ Your Delta Faucet hand shower incorporates a backflow protection system that has been tested to be in compliance with ASME A112.18.3, CSA B125.1 and ASME A112.18.1. It incorporates two certified check valves in series, which operate independently and are integral, non-serviceable parts of the wand assembly.

Delta reserves the right (1) to make changes in specifications and materials, and (2) to change or discontinue models, both without notice or obligation. Dimensions are for reference only. See current full-line price book or www.specselect.com for finish options and product availability.

DSP-B-55567 Rev. A



PERSONAL HAND HELD SHOWERS

- Ara™ Bath Collection
- Single Setting H₂Okinetic® Handshower
- Certified Dual Check Valves
- 60"-82" (1753 mm-2083 mm) Stretchable Metal Hose with Matching Finish
- 24" Wall Bar
- Square Wall Mount Bracket

STANDARD SPECIFICATIONS:

- Self-cleaning H₂Okinetic® spray holes.
- Certified dual check valves for backflow protection.
- 24" (610 mm) wall bar with adjustable slide (allows for adjustable shower height) - 51567 only. Not to be used as a Grab Bar. Not ADA compliant.
- Wall mount bracket - 55567 only.
- 2.0 gpm @ 80 psi (9.5 L/min @ 552 kPa)

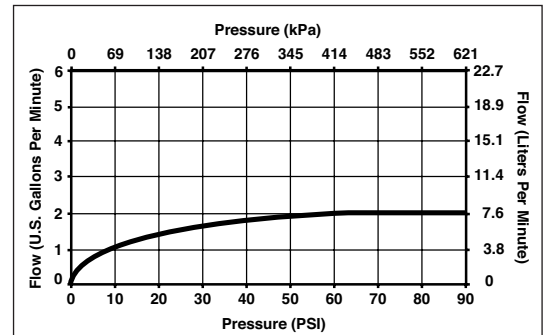
WARRANTY

- Lifetime limited warranty on parts (other than electronic parts and batteries) and finishes; or, for commercial users, for 5 years from date of purchase.
- 5 year limited warranty on electronic parts (other than batteries); or, for commercial users, for 1 year from the date of purchase. No warranty is provided on batteries.



COMPLIES WITH:

- ASME A112.18.1 / CSA B125.1 ◆



55 E. 111th Street, Indianapolis, Indiana 46280
 350 South Edgeware Road, St. Thomas, ON N5P 4L1
 © 2013 Masco Corporation of Indiana